

## **INTRODUCTORY NOTE**

This directory contains the names and addresses of physicians who are authorized to perform physical examinations and issue airman medical certificates for the Administrator of the Federal Aviation Administration. This 2012 edition follows the same format as previous editions, and contains updated Aviation Medical Examiner information compiled through Feb. 15 2012. All Aviation Medical Examiners listed in this directory are authorized to conduct airman physical examinations for Second and Third Class Medical Certificates. They are also authorized to issue the combined Medical-Student Pilot Certificate. Aviation Medical Examiners authorized to issue First Class Medical Certificates are identified by an (\*) asterisk symbol.

Part 61 of the Federal Aviation Regulations describes the various types of airman operations and indicates the class of medical certification required.

Physicians interested in becoming Aviation Medical Examiners should request application forms from the FAA Regional Flight Surgeon.

### **GREAT LAKES REGION**

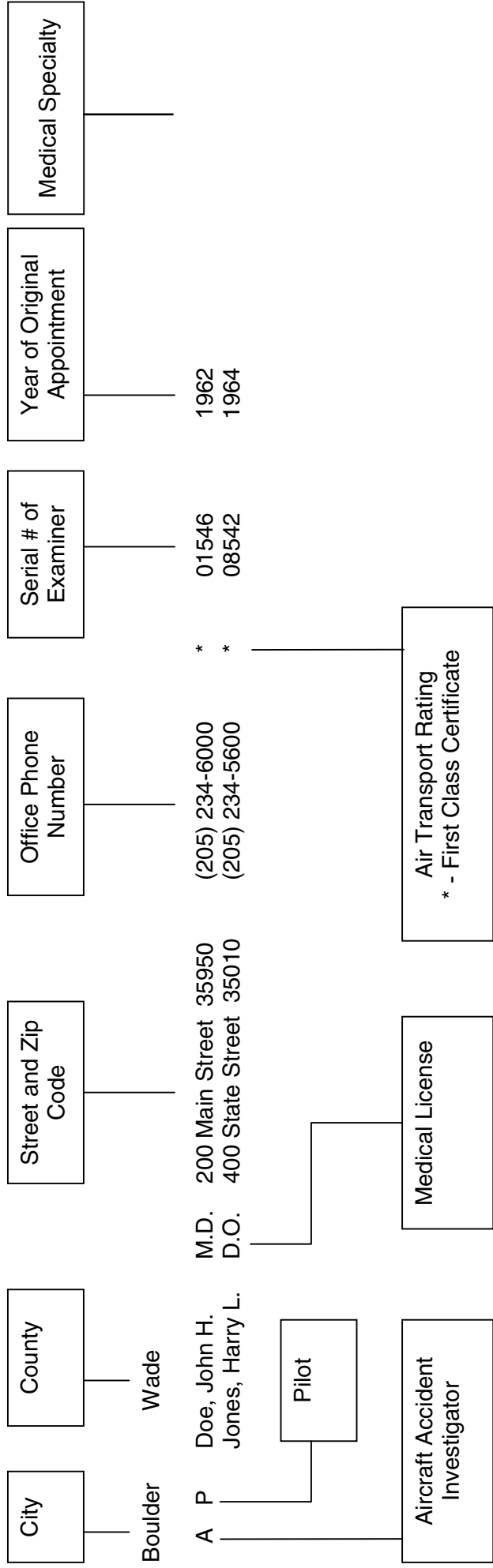
David G. Schall, M.D.  
Regional Flight Surgeon, AGL-300  
Federal Aviation Administration  
Medical Division  
2300 East Devon  
Des Plaines, Illinois 60018-4686

Telephone (847) 294-7491  
FAX (847) 294-7808

#### **The following states are in the Great Lakes Region:**

Illinois	Indiana
Minnesota	Michigan
North Dakota	South Dakota
Ohio	Wisconsin

**FORMAT OF AVIATION MEDICAL EXAMINER DIRECTORY**



**You should make requests for changes or Corrections to your Regional Flight Surgeon.**

## ILLINOIS

<b>ALGONQUIN</b>		<b>MCHENRY</b>							
P	CHUDIK, BRIAN J.	HEALTH VISIONS FAMILY HEALTHCARE, 600 S RANDALL RD 60102-	(224) 783-4310	*	01707	2005	Family Practice/General Practice		
<b>ARLINGTON HEIGHTS</b>		<b>COOK</b>							
	COZZI, THOMAS F	1430 N ARLINGTON HEIGHTS RD 60004-0000	(847) 394-9900	*	19776	1996	Internal Medicine		
	PRIDE, JAMES D	3405 N ARLINGTON HEIGHTS RD 60004-1536	(847) 577-9300	*	18111	1980	Internal Medicine		
P	VELIS, DEAN T	1430 N ARLINGTON HEIGHTS RD STE 206 60004-0000	(847) 259-8226	*	18702	1994	Internal Medicine		
<b>AURORA</b>		<b>KANE</b>							
	WOODWARD, CHARLES I	OCCUPATIONAL HEALTH SERVICES, 1320 N HIGHLAND AVENUE 60506-	(630) 859-8159	*	01765	2006	Internal Medicine		
<b>BELLEVILLE</b>		<b>SAINT CLAIR</b>							
P	BERKOWITZ, WALLACE F	18 EMERALD TERRACE 62226-	(618) 234-4010	*	18260	1984	Otorhinolaryngology		
P	HEHMANN, RICHARD J.	4600 MEMORIAL DRIVE, SUITE 320 62226-	(618) 791-5281	*	01700	2005	PLASTIC AND HAND SURGERY		
<b>BLOOMINGTON</b>		<b>MCLEAN</b>							
	GINNETTI, RICHARD A	308 SAINT JOSEPH DRIVE 61701-0000	(309) 663-5050		18468	1988	Family Practice/General Practice		
<b>BOLINGBROOK</b>		<b>WILL</b>							
	KUHLMAN, GEOFFREY S.	BOLINGBROOK FAMILY MEDICINE, 329 REMINGTON BLVD. 60440-	(630) 759-4800		01058	2009	Family Practice/General Practice		
<b>BURR RIDGE</b>		<b>DUPAGE</b>							
	VORA, NILA M	LOYOLA PRIMARY CARE CTR, 6800 N. FRONTAGE RD, SUITE 3100 60527-0000	(708) 327-1300	*	20812	1997	Internal Medicine		
<b>CANTON</b>		<b>FULTON</b>							
	DEPPE, LARRY M.	GRAHAM MEDICAL GROUP, 175 S. MAIN STREET 61520-	(309) 647-0201	*	01070	2010	General Surgery		
<b>CARMI</b>		<b>WHITE</b>							
P	BOREN, PHILLIP D	106 APRIL AVENUE 62821-	(618) 382-4193		18224	1983	Family Practice/General Practice		
<b>CHAMPAIGN</b>		<b>CHAMPAIGN</b>							
	FLETCHER, DAVID J	SAFEWORKS IL OCC HLTH SRVS., 1806 N MARKET ST 61822-0000	(217) 356-6150	*	18494	1988	Occupational/Industrial Medicine		
<b>CHICAGO</b>		<b>COOK</b>							
	TOMERA, MARK M.	4460 S ARCHER AVE 60632-0000	(773) 523-1043	*	18563	1990	General Surgery		
P	TREISTER, MICHAEL R.	1431 N WESTERN AVE SUITE 510 60622-1735	(312) 633-5866	*	15060	1975	Orthopedic Surgery		
P	VELIS, DEAN T	PROFESSIONAL BLDG STE 409 7447 W TALCOTT AVE 60631-	(773) 763-3808	*	18702	1994	Internal Medicine		
	SESKIND, COLEMAN R	333 N. MICHIGAN AVE STE 701 60601-0000	(312) 726-7595	*	14018	1972	Internal Medicine		
	DALY, GREGORY P.	FAMILY CARE ASSOCIATES, 6187 S. ARCHER AVENUE 60638-	(773) 581-1500		01739	2006	Family Practice/General Practice		
	NOVEN, ROBERT L.	MICHIGAN AVE IMMEDIATE CARE, 180 N. MICHIGAN AVE., SUITE 1605 60601-	(773) 635-0032		01036	2009	Internal Medicine		
P	BILOTTA, ANTHONY L	WILLOWBROOK MED CTR, 201 E HURON ST 60611-0000	(312) 926-8282	*	18533	1990	Family Practice/General Practice		
<b>CRYSTAL LAKE</b>		<b>MCHENRY</b>							
	LESSER, STUART MICHA	1095 PINGREE STE #108 60014-	(815) 459-6655	*	21014	1999	Family Practice/General Practice		
P	URBAN, GEORGE W	FOX VALLEY INTERNAL MED, 650 DAKOTA ST STE A 60012-0000	(815) 455-6000	*	19792	1996	Internal Medicine		
<b>DECATUR</b>		<b>MACON</b>							
P	TOTEL, GREGORY L	PHYSICIANS PLAZA EAST, 1 MEMORIAL DR #201 62526-0000	(217) 875-1090	*	18307	1985	Internal Medicine		
<b>DIXON</b>		<b>LEE</b>							
P	HUNSAKER, MATTHEW L	EDWARDS CLINIC, 144 NORTH COURT 61021-0000	(815) 284-7733	*	01652	2003	Family Practice/General Practice		
<b>DOWNERS GROVE</b>		<b>DUPAGE</b>							
P	KERWIN, PETER M	MIDWEST HEART SPECIALISTS, 3815 HIGHLAND AVE. 60515-	(630) 719-4799	*	19739	1995	Cardiology		
<b>DU QUOIN</b>		<b>PERRY</b>							
	HALL, TERRENCE J.	MARSHALL BROWNING HOSPITAL, 900 N. WASHINGTON STREET 62832-1230	(618) 542-1010		01075	2010	Surgeon		
<b>EFFINGHAM</b>		<b>EFFINGHAM</b>							
P	RUDERT, KARL S.	BONUTTI CLINIC, 1303 EVERGREEN AVENUE 62401-	(217) 342-3400		01067	2010	Occupational/Industrial Medicine		
P	GAPSIS, JOHN J.	BONUTTI ORTHOPEDIC CLINIC, 1303 W EVERGREEN 62401-0000	(217) 342-3417		20842	1998	Family Practice/General Practice		
<b>EL PASO</b>		<b>WOODFORD</b>							
P	INGALSBE, STEVEN C	385 S ORANGE ST 61738-0000	(309) 527-4900		19789	1996	Family Practice/General Practice		
<b>ELGIN</b>		<b>KANE</b>							
P	OSTROM, GREGORY L	370 SUMMIT ST 60120-0000	(847) 741-0372	*	18113	1981	Internal Medicine		

**ILLINOIS - (Cont.)**

<b>ELK GROVE VILLAGE</b>		<b>COOK</b>					
WEAVER JR., WILLIAM D.	CONCENTRA MED CTR, 1830 JARVIS AVE 60007-0000	(847) 952-1180	18653	1999	Family Practice/General Practice		
<b>EVANSTON</b>		<b>COOK</b>					
P BUCKMAN, GILA	ST. FRANCIS PROF. BLDG, 800 AUSTIN AVE EAST TOWER STE 360 60202-0000	(847) 475-0694	03017	1997	Ophthalmology		
SPINDEL, DAVID	ST. FRANCIS PROF. BLDG., EAST TOWER, 800 AUSTIN ST SUITE 360 60202-0000	(847) 475-0694 *	20845	1997	Ophthalmology		
<b>FREEPORT</b>		<b>STEPHENSON</b>					
P GEBLER, LAURENCE W	FREEPORT ENT, 1030 S KUNKLE BLVD 61032-0000	(815) 238-5026 *	15508	1980	Emergency Medicine		
<b>GALESBURG</b>		<b>KNOX</b>					
AYERS, ROBERT R	OSF ST MARY MED CTR, OCC MED CLNC 3333 N SEMINARY ST 61401-0000	(309) 344-9411 *	21029	1999	Family Practice/General Practice		
<b>GENEVA</b>		<b>KANE</b>					
FREMGEN, MICHAEL J.	FOX VALLEY FAMILY PHYSICIANS, 2425 FARGO BLVD 60134-	(630) 232-2200	01757	2006	Family Practice/General Practice		
P KITSLAAR, ANTHONY W	1250 EXECUTIVE PL., SUITE 403 60134-0000	(630) 232-4448 *	21022	1999	Neurology		
<b>GIBSON CITY</b>		<b>FORD</b>					
P DELOST, GREGORY J	#3 DOCTORS PARK PO BOX 525 60936-0000	(217) 784-4030 *	21015	1999	Family Practice/General Practice		
<b>GLEN ELLYN</b>		<b>DUPAGE</b>					
DE LEW, JONATHAN C	430 PENNSYLVANIA AVENUE 60137-	(630) 790-1792 *	18491	1988	Internal Medicine		
<b>GLENVIEW</b>		<b>COOK</b>					
VARGAS, LEONARDO	1500 WAUKEGAN RD STE 221 60025-0000	(847) 998-0120	21099	2001	Internal Medicine		
VOGEL, STEPHEN N	OCPTL MED-GLENBROOK ASSC, 2150 PFINGSTON STE 3000 60025-0000	(847) 657-1700	20817	1997	Occupational/Industrial Medicine		
<b>GODFREY</b>		<b>MADISON</b>					
P GASKILL, JOHN F	1902 ARROWHEAD LN 62035-0000	(618) 466-2600 *	15215	1991	General Surgery		
<b>GRANITE CITY</b>		<b>MADISON</b>					
KNAPP, CHRISTOPHER J	OCCUPATIONAL HEALTH CLINIC, 2044 MADISON AVE STE G6 62040-	(618) 798-3475 *	21017	1999	Aerospace Medicine		
<b>GREENVILLE</b>		<b>BOND</b>					
P GOGGIN, JAMES R	308 WEST COLLEGE AVE 62246-0000	(618) 664-0271	11018	1965	Family Practice/General Practice		
<b>HERRIN</b>		<b>WILLIAMSON</b>					
P MORGAN, RICHARD L.	SOUTHERN ORTHOPEDIC ASSOC, 510 LINCOLN DR 62948-0000	(618) 997-6800	18632	1993	Orthopedic Surgery		
<b>HIGHLAND</b>		<b>MADISON</b>					
P FULTON, ROGER L	1212 BROADWAY BOX 181 62249-0181	(618) 654-9851 *	18450	1987	Internal Medicine		
<b>HINSDALE</b>		<b>DUPAGE</b>					
P MARCOSKI JR, EDWARD	HINSDALE MEDICAL CENTER, 40 S. CLAY ST SUITE 101E 60521-	(630) 323-1177 *	18639	1993	Orthopedic Surgery		
ZINDRICK, MICHAEL R	HINSDALE ORTHOPEDICS ASSOC, 550 W OGDEN AVE 60521-0000	(630) 323-6116	21122	2001	Orthopedic Surgery		
<b>HOFFMAN ESTATES</b>		<b>COOK</b>					
SMALL, ROBERT ALAN	DOCTORS BLDG. ONE, 1555 NORTH BARRINGTON RD STE 230 60169-	(847) 843-7404	18500	1988	Internal Medicine		
<b>ISLAND LAKE</b>		<b>LAKE</b>					
SAINI, GURBAX S.	27979 CONVERSE ROAD 60042-0000	(847) 526-8830 *	21025	1999	Internal Medicine		
<b>JACKSONVILLE</b>		<b>MORGAN</b>					
P WILSON, CHARLES S.	814 WEST STATE STREET 62650-1910	(217) 243-1865 *	15495	1980	Family Practice/General Practice		
<b>KANKAKEE</b>		<b>KANKAKEE</b>					
P OLOFSSON, BRIAN P	400 NORTH WALL STREET SUITE 510 60901-2940	(815) 932-5725 *	18425	1986	Family Practice/General Practice		
<b>LA GRANGE</b>		<b>COOK</b>					
P HAGEN, COLLEEN A G	5201 S, WILLOW SPRINGS RD., STE 180 60525-0000	(708) 579-9705	18340	1985	General Surgery		
<b>LACON</b>		<b>MARSHALL</b>					
P FOLEY, LOUIS J	MARSHALL COUNTY AIRPORT 61540-0000	(309) 246-3700 *	15101	1976	Obstetrics/Gynecology		
<b>LIBERTYVILLE</b>		<b>LAKE</b>					
COLODNY, CHARLES S	716 SOUTH MILWAUKEE AVENUE 60048-3225	(847) 362-1393 *	18245	1983	Family Practice/General Practice		
KASKEL, LARRY S	1800 HOLLISTER DR STE 102 60048-	(847) 680-3666 *	21039	1999	Internal Medicine		
<b>MCLEANSBORO</b>		<b>HAMILTON</b>					
HALL, TERRENCE J.	MARSHALL BROWNING HOSPITAL, 611 S. MARSHALL STREET 62859-	(618) 542-1010	01075	2010	Surgeon		

ILLINOIS - (Cont.)

<b>MOLINE</b>		<b>ROCK ISLAND</b>						
	ADE, THOMAS D	550 30TH AVENUE, STE 12	61265-0000	(309) 762-5513	*	18675	1994	Internal Medicine
<b>MONTICELLO</b>		<b>PIATT</b>						
P	MANINT, JAMES E.	1000 MEDICAL CENTER DRIVE	61856-0000	(217) 762-6241	*	20818	1998	Family Practice/General Practice
<b>MORRIS</b>		<b>GRUNDY</b>						
P	HICKS, VAN L	1345 N. EDWARDS	60450-	(815) 942-9913	*	08042	1963	Internal Medicine
<b>MORTON GROVE</b>		<b>COOK</b>						
P	KLEMPNER, H EDWARD	5410 WARREN ST	60053-0000	(847) 583-0939	*	02567	1959	Internal Medicine
<b>MUNDELEIN</b>		<b>LAKE</b>						
P	HECKER, ROGER V	ADVOCATE MEDICAL GROUP,	550 N. LAKE STREET 60060-	(847) 566-5200	*	20986	2001	Internal Medicine
<b>MURPHYSBORO</b>		<b>JACKSON</b>						
P	KENNY, GARDNER T.	508 N AIRPORT RD	62966-	(618) 457-5111	*	01727	2005	ANESTHESIA
	BLAISE, DALE W.	MEDICAL ARTS CLINIC LTD,	19 EAST SHAWNEE DR STE 2	(618) 684-2172		01720	2005	Family Practice/General Practice
		62966-						
<b>NILES</b>		<b>COOK</b>						
	MEYER, MICHAEL J	OAK MILL MALL STE 2-23	7900 N MILWAUKEE AVE 60714-	(847) 966-9878	*	01607	2002	Family Practice/General Practice
<b>O FALLON</b>		<b>SAINT CLAIR</b>						
P	SULLIVAN, LEO W.	902 MONTEREY DRIVE	62269-0000	(618) 624-8701	*	18677	1994	Occupational/Industrial Medicine
<b>OAK LAWN</b>		<b>COOK</b>						
P	TATOOLES, ANTONE J.	CARDIOTHORACIC & VASCULAR SURGICAL ASSOC,	4400 W 95TH ST STE 205 60453-	(708) 346-4040		01699	2005	General Surgery
<b>OTTAWA</b>		<b>LA SALLE</b>						
P	DORAN, EDWARD	ASSOCIATED GASTROENTEROLOGY CONSULTANTS,	1304 GEMINI CIRCLE STE 1 61350-0000	(815) 433-9666		01636	2003	Internal Medicine
<b>PALOS HEIGHTS</b>		<b>COOK</b>						
P	MOISAN, TERRENCE C	MIDWEST ENVIRONMENTAL MEDICINE,	12255 SOUTH 80TH AVE #203 60463-1256	(708) 448-1400	*	15484	1980	Internal Medicine
<b>PEKIN</b>		<b>TAZEWELL</b>						
	FISHER II, CURTIS W.	PEKIN FAMILY PRACTICE,	2355 BROADWAY 61554-	(309) 347-2700	*	01748	2006	Family Practice/General Practice
<b>PEORIA</b>		<b>PEORIA</b>						
P	CHIEN, BRUCE B	1320 BIRD BOULEVARD	61615-0000	(309) 689-5242	*	21016	1999	Anesthesiology
P	FLANDERS, DAVID J	6708 N. KNOXVILLE, SUITE 1	61614-	(309) 360-0189		01127	2011	Pathology
<b>PERU</b>		<b>LA SALLE</b>						
P	DORAN, EDWARD	ASSOCIATED GASTROENTEROLOGY CONSULTANTS,	1310 MAPLE DRIVE 61354-0000	(815) 223-1666		01636	2003	Internal Medicine
<b>PLANO</b>		<b>KENDALL</b>						
	NANDRA, MUKHTAR S.	115 E SOUTH ST UNIT F	60545-0000	(630) 552-7166	*	18244	1983	Family Practice/General Practice
<b>PRINCETON</b>		<b>BUREAU</b>						
P	FOLEY, LOUIS J	530 PARK AVENUE EAST	61356-	(815) 872-9491	*	15101	1976	Obstetrics/Gynecology
<b>QUINCY</b>		<b>ADAMS</b>						
P	LOCKHART, DAVID W	BLESSING HEALTH CENTER,	927 BROADWAY, SUITE 120 62301-4272	(217) 223-8400		18196	1982	Family Practice/General Practice
	HAFEZ, WALID M	BLESSING PHYSICIAN SERVICES,	927 BROADWAY, SUITE 302 62301-0000	(217) 224-6423		20833	1997	Neurology
<b>ROCKFORD</b>		<b>WINNEBAGO</b>						
P	EDGREN, DOUGLAS W	461 N. MULFORD, SUITE 3	61107-	(815) 227-9594	*	19777	1996	Family Practice/General Practice
A P	COPELAND, DANNY L.	SWEDISH AMERICAN CLINIC,	6824 NEWBURG RD 61108-0000	(815) 397-2690	*	15259	1977	Family Practice/General Practice
<b>SPRINGFIELD</b>		<b>SANGAMON</b>						
P	BRUNINGA, H. JAY	900 CAPITAL AIRPORT DR.,	62707-	(217) 473-7386	*	01796	2007	Ophthalmology
	CRAMER, ROBERT F.	PHYSICIANS GROUP ASSOC,	2901 OLD JACKSONVILLE RD 62704-0000	(217) 698-9722	*	18222	1983	Internal Medicine
	GORDON JR, ROBERT L	MIDWEST OCCUP HLTH ASSOC,	775 ENGINEERING AVE 62703-	(217) 522-4300		01713	2005	Internal Medicine
<b>ST CHARLES</b>		<b>KANE</b>						
	SCURLOCK, WILLIAM B	110 SOUTH 17TH ST	60174-3561	(630) 377-2800	*	18298	1985	Family Practice/General Practice
<b>SUGAR GROVE</b>		<b>KANE</b>						
P	MARTENS, RUTH C	43W752 US 30	60554-	(630) 668-5595	*	20802	1997	Family Practice/General Practice

**ILLINOIS - (Cont.)**

**SYCAMORE**

SUSEDIK, CYNTHIA F. PHYSICIANS IMMEDIATE CARE, 1985 DEKALB AVE STE 300 (815) 754-1122 01730 2005 Emergency Medicine  
60178-

**URBANA**

SUTTER, THOMAS L. CARLE CLINIC - OCCUPATIONAL MEDICINE, 602 W. (217) 383-3229 01794 2007 Occupational/Industrial Medicine

KETCHENS, MILORAD P MCKINLEY HEALTH CTR, 1109 S LINCOLN AVE 61801-0000 (217) 244-5324 \* 20890 1998 Family Practice/General Practice

**WHEATON**

P MARTENS, RUTH C 1913 GLADSTONE DR 60189-0000 (630) 668-5595 \* 20802 1997 Family Practice/General Practice

**WILLOWBROOK**

P BILOTTA, ANTHONY L WILLOWBROOK MED CTR, 535 PLAINFIELD RD., STE. C (630) 986-7501 \* 18533 1990 Family Practice/General Practice  
60527-0000

**YORKVILLE**

PATRASCU, OANA M. RUSH-COPLEY HEALTHCARE CTR., 1100 W. VETERANS (630) 466-3430 01112 2011 Family Practice/General Practice  
PARKWAY 60560-

**DEKALB**

**CHAMPAIGN**

**DUPAGE**

**DUPAGE**

**KENDALL**

**INDIANA**

**ANGOLA**

P WATKINS, LARRY E 301 EAST MAUMEE STREET 46703-2012 (260) 665-2164 15115 1976 Family Practice/General Practice

A P WEAVER, R WYATT 306 EAST MAUMEE STREET 46703-2035 (260) 665-1337 \* 14456 1974 Family Practice/General Practice

A P MATTOX, DEAN L 1109 W MAUMEE PO BOX 360 46703-0000 (260) 665-2131 \* 11206 1967 Family Practice/General Practice

**AUBURN**

P SOUDER, MARK S COMP MED CARE, 1310 EAST 7TH ST SUITE J 46706-0000 (260) 925-0305 15547 1980 Family Practice/General Practice

**AURORA**

P FREIDEL, JACK F 107 BRIDGEWAY STE 100 47001-0000 (812) 926-3133 01566 2002 Family Practice/General Practice

**BATESVILLE**

A PARKER, MICHAEL G 374 NORTHSIDE DRIVE, SUITE D 47006-0000 (812) 932-5105 \* 19806 2002 Occupational/Industrial Medicine

**BEECH GROVE**

P CHRISTIE, MARVIN C 2030 CHURCHMAN AVE 46107-1749 (317) 786-9285 \* 08294 1965 Family Practice/General Practice

**BLOOMFIELD**

P POWERS, PETER J. 708 A WEST MAIN STREET 47424- (812) 340-5622 01122 2011 Internal Medicine

**BLUFFTON**

GREENMAN, JOHN J WELLS MEDICAL SERVICES, 117 SOUTH MAIN STREET (260) 824-9265 \* 14440 2000 Family Practice/General Practice  
46714-0000

**BRAZIL**

KONIJETI, JAYAPRADA MEDFIRST CLINIC, 5 SOUTH WALNUT ST 47834-0000 (812) 442-5500 21064 2001 Family Practice/General Practice

**BROWNSBURG**

WILMOT, DAVID E 1411 S GREEN ST STE 130 46112-0000 (317) 858-4610 \* 18634 1993 Family Practice/General Practice

SCHOPPER, MARK P 1411 S GREEN ST STE 130 46112-0000 (317) 858-4610 \* 18630 1992 Family Practice/General Practice

GRAHAM, BRETT A. HENDRICKS FMLY MED, 1411 S GREEN ST #130 46112-0000 (317) 858-4610 \* 20887 1998 Family Practice/General Practice

**COLUMBUS**

P CROWDER, JONATHAN S SANDCREST FAMILY MEDICINE, 3203 MIDDLE ROAD 47203- (812) 373-2700 01812 2008 Family Practice/General Practice

**CORYDON**

P ESTILL, GEORGE F 313 FEDERAL DRIVE NW 47112- (812) 738-4155 \* 18326 1985 Family Practice/General Practice

**CRAWFORDSVILLE**

DOUGLAS, SCOTT K 308 W MARKET 47933-0000 (765) 362-5789 19747 1995 Family Practice/General Practice

**ELKHART**

P YODER, HARLEY W CONCORD FAMILY MEDICINE, 25651 CR 20 46517-0000 (574) 522-1201 \* 01570 2002 Family Practice/General Practice

**ELWOOD**

P GATEWOOD, STEVEN R FAMILY PRACTICE ASSOCIATES, 1515 SOUTH 19TH ST (765) 552-7346 01626 2003 Family Practice/General Practice  
46036-0000

**EVANSVILLE**

A P RITCHIE, WILLIAM D 567 OLMSTEAD AVENUE 47711-3333 (812) 424-2649 \* 05980 1960 Family Practice/General Practice

P JUDY, LAWRENCE A DEACONESS CLINIC, 421 CHESTNUT 47713-0000 (812) 426-9372 \* 21090 2001 Internal Medicine

**STEUBEN**

**DE KALB**

**DEARBORN**

**RIPLEY**

**MARION**

**GREENE**

**WELLS**

**CLAY**

**HENDRICKS**

**BARTHOLOMEW**

**HARRISON**

**MONTGOMERY**

**ELKHART**

**MADISON**

**VANDEBURGH**

**INDIANA - (Cont.)**

<b>FORT WAYNE</b>		<b>ALLEN</b>							
P	ALLINA, ALFRED F	4656 W JEFFERSON BLVD STE 250 46804-0000	(260) 434-1619	*	15160	1976	Family Practice/General Practice		
P	GREENLEE III, JOSEPH A	PARKVIEW PHYSICIANS' GROUP, 1818 CAREW STREET, SUITE 160 46805-	(260) 373-8350	*	21475	2005	General Surgery		
P	KAMMEYER, WILLIAM A	PARKVIEW FIRSTCARE, 1515 HOBSON ROAD 46805-	(260) 422-2481	*	15292	1978	Family Practice/General Practice		
<b>FRANKFORT</b>		<b>CLINTON</b>							
	THARP, STEPHEN D	ST. VINCENT FRANKFORT HOSPITAL, 1201 OAK ST, SUITE 1 46041-0000	(765) 656-3930		18502	1988	Internal Medicine		
<b>GRANGER</b>		<b>ST JOSEPH</b>							
	SCHMELTZ, MARK P.	BITTERSWEET MEDICAL ASSOC., 12340 BITTERSWEET COMMONS BLVD. 46530-	(574) 271-8610		01018	2008	Family Practice/General Practice		
<b>GREENFIELD</b>		<b>HANCOCK</b>							
P	SMITH, JOHN H.	144 GRANDISON RD 46140-0000	(317) 462-6451		06095	1995	Family Practice/General Practice		
<b>GREENWOOD</b>		<b>JOHNSON</b>							
P	MILES, SCOTT T	SOUTHPOINTE OB/GYN, 549 EAST COUNTY LINE RD, STE A 46143-0000	(317) 865-6252	*	19779	1996	Occupational/Industrial Medicine		
<b>HAMMOND</b>		<b>LAKE</b>							
	KUPCHICK, ERIC N.	WORKING WELL, 5500 HOHMAN AVENUE, SUITE 1D 46320-	(219) 852-2472		01121	2011	Family Practice/General Practice		
<b>INDIANAPOLIS</b>		<b>MARION</b>							
	JACOBS, BRIAN S	ADVANCED PRIMARY CARE ASSOCIATES, 9840 WESTPOINT DR STE 400 46256-	(317) 577-6056		21046	2000	Internal Medicine		
	BATE, MOSTAFA H.	PHYSICIAN'S OFFICE, 9302 N MERIDIAN ST STE 220 46260-0000	(317) 571-8226		21059	2001	General Surgery		
	KRUSE, PAUL W	NORTHSIDE INTERNAL MEDICINE, 2010 W 86TH ST STE 200 46260-0000	(317) 872-6551		01648	2003	Internal Medicine		
	ANDERSON, CARL B	CONCENTRA MEDICAL CENTERS, 5604 W 74TH ST 46278-0000	(317) 290-1551		01596	2002	Occupational/Industrial Medicine		
P	ADKINS, STANLEY R	7855 S. EMERSON AVE. SUITE H 46237-	(317) 300-0370	*	01668	2004	Internal Medicine		
	HARRIS, STEVEN A	NORTHSIDE INTERNAL MED, 2010 W 86TH ST 46260-1930	(317) 872-6551	*	18626	1992	Internal Medicine		
<b>JASPER</b>		<b>DUBOIS</b>							
P	WAFLART, THEODORE A	MEM HOSP & HLTH CARE CTR, INDUSTRIAL MED CLNC 939 MEMORIAL DR 47546-0000	(812) 481-5750	*	19770	1996	Family Practice/General Practice		
<b>JEFFERSONVILLE</b>		<b>CLARK</b>							
	BURKE, KEVIN R	COMMUNITY MEDICAL ASSOC, 3118 EAST 10TH STREET 47130-0000	(812) 282-6979		21094	2001	Internal Medicine		
<b>KOKOMO</b>		<b>HOWARD</b>							
P	WILD, MICHAEL R.	EYE PHYSICIANS, INC., 3433 S. LAFOUNTAIN 46902-	(765) 453-3777		01719	2005	Ophthalmology		
<b>LA PORTE</b>		<b>LA PORTE</b>							
P	EDWARDS JR, JAMES L	AVIATION MEDICAL SERVICE, 2341 S STATE RD 39 46350-0000	(219) 362-0099	*	19727	1994	Aerospace Medicine		
<b>LAFAYETTE</b>		<b>TIPPECANOE</b>							
P	BRAY, WILLIAM L.	REGIONAL OCCUP. CARE CENTER, 1321 UNITY PLACE, SUITE A 47905-	(765) 446-2450		01030	2008	Family Practice/General Practice		
	GRIFFIN, CARL D	ARNETT CLINIC, PO BOX 5545 47903-5545	(765) 448-8708	*	21057	2000	Occupational/Industrial Medicine		
<b>LOGANSPORT</b>		<b>CASS</b>							
P	WILD, MICHAEL R.	EYE PHYSICIANS, INC., 333 MALL ROAD 46947-	(574) 722-1797		01719	2005	Ophthalmology		
<b>MUNCIE</b>		<b>DELAWARE</b>							
P	ALEXANDER, C KURT	INTERNISTS ASSOCIATED, 1910 W ROYAL CT 47304-0000	(765) 289-1011	*	18651	1993	Internal Medicine		
<b>MUNSTER</b>		<b>LAKE</b>							
P	FELDNER, RONALD P	COMMUNITY CARE CENTER, 800 MACARTHUR BLVD STE 11 46321-0000	(219) 836-6839	*	08242	1964	Family Practice/General Practice		
<b>NAPPANEE</b>		<b>ELKHART</b>							
	ANGLEMEYER, WALTER	ANGLEMEYER CLINIC, 1953 WATERFALL DR #A 46550-0000	(574) 773-4101	*	20894	1998	Family Practice/General Practice		
<b>NEWBURGH</b>		<b>WARRICK</b>							
P	BUTLER, JAMES W.	10455 ORTHOPEDIC DRIVE 47630-0000	(812) 424-9291	*	21027	1999	Aerospace Medicine		
<b>OSCEOLA</b>		<b>ST JOSEPH</b>							
P	POWELL, RONALD W	OSCEOLA FAMILY CARE & OBSTETRICS, 410 LINCOLN WAY W STE 102 46561-0000	(574) 674-5100	*	19791	1996	Family Practice/General Practice		
<b>OTTERBEIN</b>		<b>BENTON</b>							
	BENTINGANAN JR., VICTO	ARNETT CLINIC, 407 N. MEADOW STREET 47970-	(765) 583-4415	*	01784	2007	Family Practice/General Practice		

**INDIANA - (Cont.)**

<b>PLAINFIELD</b>		<b>HENDRICKS</b>						
	HUFF, KEITH T.	HENDRICKS OCCUPATIONAL MED., 1100 SOUTHFIELD DR., STE. 1120 46168-	(317) 839-6200	*	01019	2008	Emergency Medicine	
	PETERS, REBECCA A.	HENDRICKS OCCUPATONAL MED., 1100 SOUTHFIELD DRIVE, STE 1120 46168-	(317) 839-6200		01072	2010	Family Practice/General Practice	
<b>PLYMOUTH</b>		<b>MARSHALL</b>						
P	HOLM, BYRON M	HOLM MEDICAL CLINIC, 2855 MILLER DRIVE, SUITE 117 46563-0000	(574) 936-7777	*	14506	1975	Family Practice/General Practice	
<b>RICHMOND</b>		<b>WAYNE</b>						
P	FISHER, WILLIAM D	100 NORTH 15TH ST 47374-3322	(765) 966-7668	*	15164	1976	Family Practice/General Practice	
<b>SAINT JOHN</b>		<b>LAKE</b>						
	RYBCZYNSKI, MARK S.	ST. JOHN FAMILY MEDICAL CLINIC, 10850 MAPLE LANE 46373-0418	(219) 365-7000		15548	1980	Family Practice/General Practice	
<b>SALEM</b>		<b>WASHINGTON</b>						
P	MORGAN, JEFFREY G	104 CONNIE AVE STE 108 47167-0000	(812) 883-2696	*	18565	1990	Internal Medicine	
<b>SEYMOUR</b>		<b>JACKSON</b>						
P	BLAISDELL, WILLIAM F	JACKSON PARK PHYSICIANS, 1124 MEDICAL PLACE 47274-2640	(812) 522-1613		15481	1980	Family Practice/General Practice	
<b>SOUTH BEND</b>		<b>ST JOSEPH</b>						
	WOHLRAB, ERIC P	MEMORIAL CTR FOR OCCP HLTH, 2301 N BENDIX DR STE 500 46628-0000	(574) 647-1675	*	20893	1998	Occupational/Industrial Medicine	
<b>ST JOHN</b>		<b>LAKE</b>						
P	FELDNER, MARK A	9660 WICKER AVE 46373-0000	(219) 365-1166	*	18460	1987	Family Practice/General Practice	
<b>TERRE HAUTE</b>		<b>VIGO</b>						
P	CLAYBROOK, DOUGLAS	UAP CLINIC, 221 SOUTH SIXTH STREET 47807-4214	(812) 232-0564		15414	1979	Urology	
P	WELCH, JAMES J	ASSOC PHYSICIAN & SURGEONS CLINIC, 1739 N FOURTH ST 47804-0000	(812) 235-3027	*	19793	1996	Family Practice/General Practice	
<b>VALPARAISO</b>		<b>PORTER</b>						
P	PITHADIA, BHARAT K	PITHADIA MED PROF SERV CORP, 2801 LEONARD DRIVE 46383-0000	(219) 476-1703		21119	2002	Occupational/Industrial Medicine	
	KING, TIMOTHY E	CTRS FOR PAIN MGMT, 277 DURNESSE COURT 46385-0000	(800) 756-2110	*	21091	2001	Anesthesiology	
<b>VINCENNES</b>		<b>KNOX</b>						
	STINE, SCOTT A.	MEDICAL CTR OF VINCENNES - FP, 406 N. FIRST STREET 47591-	(812) 885-2417		01080	2010	Family Practice/General Practice	
	JACQMAIN, RALPH J	621 SOUTH SEVENTH STREET 47591-1069	(812) 882-6130	*	11082	1966	Family Practice/General Practice	
<b>WARSAW</b>		<b>KOSCIUSKO</b>						
	HAINES, DAVID W.	MEDSTAT URGENT CARE & OCC HLTH, 1500 PROVIDENT DR, SUITE A 46580-0000	(574) 372-7637	*	18261	1984	Family Practice/General Practice	
<b>WEST LAFAYETTE</b>		<b>TIPPECANOE</b>						
	CHADHA, GAGANDEEP S	166 SAGAMORE PKWY WEST 47906-0000	(765) 497-2428	*	21043	2000	Internal Medicine	
<b>WESTFIELD</b>		<b>HAMILTON</b>						
P	HABIG, ROBERT D	WESTFIELD FAMILY PHYSICIANS, 15229 US 31 NORTH BOX 840 46074-0000	(317) 867-1236	*	18305	1985	Family Practice/General Practice	
<b>ZIONSVILLE</b>		<b>BOONE</b>						
P	HATCHER, RALPH E	ANSON CONVENIENT CARE, 6085 HEARTLAND DRIVE, SUITE 205 46077-	(317) 768-2200		18596	1991	Family Practice/General Practice	
<b>MICHIGAN</b>								
<b>ALLEN PARK</b>		<b>WAYNE</b>						
	GALUS, CHRISTOPHER F	17500 FEDERAL DR STE 750 48101-0000	(313) 982-1370		01561	2002	Occupational/Industrial Medicine	
<b>ALMA</b>		<b>GRATIOT</b>						
	STEBELTON, GARY D	MID-MICHIGAN MED. CTR., GRATIOT, 321 E. WARWICK DR 48801-0000	(989) 466-3340	*	20901	1998	Occupational/Industrial Medicine	
<b>ALPENA</b>		<b>ALPENA</b>						
	DECKER, JAMES D	ALPENA MEDICAL ARTS, PC, 211 LONG RAPIDS ROAD 49707-	(989) 354-2142		01131	2011	Family Practice/General Practice	
<b>ANN ARBOR</b>		<b>WASHTENAW</b>						
	CHAPMAN, DANIEL K.	MWORKS OCC HLTH/UNIV OF MI, 1500 E MEDICAL CTR DR B1A244/0019 48109-0019	(734) 998-8788	*	20878	1998	Occupational/Industrial Medicine	
	SANDA, RONALD M.	501 N. MAPLE ROAD 48103-	(734) 663-3500		01085	2010	Internal Medicine	
P	FREITAS, JOHN E	ST JOSEPH HOSP. DEPT. OF RADIOLOGY, 5301 E HURON RIVER DR 48106-	(734) 712-3052	*	15169	1977	Internal Medicine	



**MICHIGAN - (Cont.)**

<b>BATTLE CREEK</b>		<b>CALHOUN</b>					
P	KOZIARSKI, JOHN D.	FAMILY SURGICAL, PLC, 3620 CAPITAL AVENUE SW 49015-	(269) 979-6200	01123	2011	General Surgery	
<b>BAY CITY</b>		<b>BAY</b>					
P	ECKSTEIN, TIM E.	COVENANT OCCUPATIONAL HLTH., 2919 E. WILDER RD., SUITE 130 48706-	(989) 671-5720	01813	2008	Occupational/Industrial Medicine	
<b>BELLEVEUE</b>		<b>EATON</b>					
P	FRANKENSTEIN, WALDO	205 NORTH MAIN ST 49021-1233	(269) 763-9416	* 07916	1962	Family Practice/General Practice	
<b>BIG RAPIDS</b>		<b>MECOSTA</b>					
P	VANDEMARK, PETER S	705 OAK ST SUITE 11 49307-0000	(231) 796-4406	18605	1991	Internal Medicine	
<b>BIRMINGHAM</b>		<b>OAKLAND</b>					
P	GRANT, LYLE SCOTT	BIRMINGHAM MEDICAL, 180 EAST BROWN 48009-	(248) 645-1000	01045	2009	Family Practice/General Practice	
<b>BUCHANAN</b>		<b>BERRIEN</b>					
P	BROWN, HAROLD E	804 EAST FRONT STREET 49107-1444	(269) 695-3897	* 15214	1977	Family Practice/General Practice	
<b>CADILLAC</b>		<b>WEXFORD</b>					
	LESOSKI, DARRYL F	MUNSON OCCUP HEALTH & MEDICINE, 7985 MACKINAW TRAIL, SUITE B-1 49601-	(231) 779-5224	* 01598	2002	Occupational/Industrial Medicine	
<b>CHELSEA</b>		<b>WASHTENAW</b>					
	HEANEY, DEBORAH S	THE HEANEY GROUP, CHELSEA INTERNAL MEDICINE 128 VAN BUREN STREET 48118-0000	(866) 301-7612	* 01638	2003	Occupational/Industrial Medicine	
	GLEESPEN, MARTIN P	1290 S MAIN ST SUITE C 48118-0000	(734) 475-1107	* 18635	1993	Internal Medicine	
<b>CLARKSTON</b>		<b>OAKLAND</b>					
	TANIR-AVCI, NARIN	5905 S MAIN SUITE 2 48346-0000	(248) 620-3700	20910	1999	Family Practice/General Practice	
<b>CLINTON TOWNSHIP</b>		<b>MACOMB</b>					
P	SCHIAPPACASSE, RICHA	ST JOSEPH'S MERCY FRASER HLTH CTR, 15717 FIFTEEN MILE RD 48035-0000	(586) 285-3800	* 18356	1985	Internal Medicine	
<b>DETROIT</b>		<b>WAYNE</b>					
	ALPER, BERNARD	ALSAN MED CLNC, 3130 GRATIOT AVE 48207-0000	(313) 579-1860	* 15061	1975	Family Practice/General Practice	
<b>DURAND</b>		<b>SHIAWASSEE</b>					
P	WAITE, LE ROY	301 NORTH SAGINAW STREET 48429-1238	(989) 288-3156	* 08206	1964	Family Practice/General Practice	
<b>EATON RAPIDS</b>		<b>EATON</b>					
P	HANKENSON, PAUL D	1501 KYLE ST 48827-0000	(517) 663-3344	* 20816	1997	Family Practice/General Practice	
<b>ELK RAPIDS</b>		<b>ANTRIM</b>					
	LAWRENCE JR, JAMES O	ELK RAPIDS FAMILY PRACTICE, 124 AMES STREET 49629-0000	(231) 264-8282	* 15549	1980	Family Practice/General Practice	
<b>ESCANABA</b>		<b>DELTA</b>					
	DOSH, STEVEN A.	ST FRANCIS HOSPITAL, 3409 LUDINGTON ST #203 49829-0000	(906) 789-4427	18666	1993	Internal Medicine	
<b>FLINT</b>		<b>GENESEE</b>					
P	RING, HARVEY V	G-5377 CORUNNA RD 48532-0000	(810) 732-4220	18122	1981	Family Practice/General Practice	
<b>FREELAND</b>		<b>SAGINAW</b>					
P	PINNELL, GREGORY A	8430 GARFIELD RD. 48623-0000	(989) 245-4494	* 21072	2001	Family Practice/General Practice	
<b>GAYLORD</b>		<b>OTSEGO</b>					
	MIDDELDORF, JEFFREY I	MIDDELDORF MEDICAL GROUP, PC, 2147 PROFESSIONAL DR., SUITE C 49735-	(586) 558-4482	01062	2009	PAIN MANAGEMENT/REHABILITATION	
<b>GLADWIN</b>		<b>GLADWIN</b>					
P	WOODRUFF, NATHANIEL	609 QUARTER STREET 48624-	(989) 832-0100	* 14674	1994	Cardiology	
<b>GRAND LEDGE</b>		<b>EATON</b>					
	SMITH, DAVID J	11615 SOUTH HARTEL SUITE 206 48837-0000	(517) 627-2181	14492	1975	Family Practice/General Practice	
<b>GRAND RAPIDS</b>		<b>KENT</b>					
	BYINGTON, DAVID L	KENTWOOD FAMILY PHYSICIANS PC, 5070 CASCADE RD SE SUITE 250 49546-	(616) 281-9066	19762	1996	Family Practice/General Practice	
P	VOSS, JOHN A	CASCADE URGENT CARE, 4081 CASCADE ROAD SE 49546-	(616) 581-0243	* 08200	2003	Family Practice/General Practice	
P	ILKA, RICHARD A.	CORPORATE OCCUPATIONAL HEALTH, 1000 EAST PARIS SE STE 218 49546-	(616) 285-2728	* 01756	2006	Occupational/Industrial Medicine	
<b>HASLETT</b>		<b>INGHAM</b>					
	WOLLSCHLAEGER, PETE	THE FAMILY DOC, 1380 HASLETT RD, SUITE 17 PO BOX 488 48840-	(517) 381-1526	01754	2006	Family Practice/General Practice	
<b>HASTINGS</b>		<b>BARRY</b>					
P	BRASSEUR, SCOTT B	1005 WEST GREEN ST 49058-0000	(269) 945-2419	19744	2001	Internal Medicine	

**MICHIGAN - (Cont.)**

<b>HOUGHTON</b>		<b>HOUGHTON</b>					
	TRUSOCK, BRUCE J	600 MACINESS DR 49931-0000	(906) 483-1860	18429	1986	Family Practice/General Practice	
<b>IRON MOUNTAIN</b>		<b>DICKINSON</b>					
P	GARRETT, J MICHAEL	1301 CARPENTER 49801-6207	(906) 774-1404	15477	1980	Ophthalmology	
<b>IRONWOOD</b>		<b>GOGEBIC</b>					
	HUBBARD, JAMES E.	GRAND VIEW CLINIC, N10565 GRAND VIEW LANE 49938-	(906) 932-1500	01033	2009	Family Practice/General Practice	
<b>JACKSON</b>		<b>JACKSON</b>					
P	LYND, GARY L.	JACKSON FAMILY MEDICAL, 724 W FRANKLIN 49201-0000	(517) 784-3100	*	18599	1991	Family Practice/General Practice
P	FULLER, GREGORY W	1006 AIRPORT ROAD 49202-0000	(517) 784-6663	*	21114	2002	Family Practice/General Practice
<b>KALAMAZOO</b>		<b>KALAMAZOO</b>					
	KAMMENZIND, RICHARD	HEALTHCARE MIDWEST, 601 JOHN ST STE M-170A 49007-0000	(269) 381-5060	18466	1988	Internal Medicine	
	HARRELL, DONALD E	ADVANCED OCCUP MEDICINE, 3125 MAIN STREET 49008-	(269) 345-8638	*	18681	1994	Occupational/Industrial Medicine
<b>KENTWOOD</b>		<b>KENT</b>					
	BERNEKING, MICHAEL W	436 44TH STREET SE 49548-	(616) 531-9750	*	01799	2007	Family Practice/General Practice
<b>LANSING</b>		<b>INGHAM</b>					
P	GRAESSER, OTTO W	1421 WEST MOUNT HOPE AVENUE 48910-9072	(517) 487-6097	*	08131	1964	Family Practice/General Practice
<b>LIVONIA</b>		<b>WAYNE</b>					
	KEOGH, KEVIN	CONCENTRA MEDICAL CENTER, 34095 PLYMOUTH RD 48150-0000	(734) 513-2000	01564	2002	Occupational/Industrial Medicine	
	ROSENWASSER, MARK F	PROVIDENCE HOSPITAL - OCCUP HEALTH PARTNERS, 37595 SEVEN MILE ROAD 48152-0000	(734) 432-6668	*	01629	2003	Occupational/Industrial Medicine
<b>LOWELL</b>		<b>KENT</b>					
	MOGOR, JOHN R	LOWELL MEDICAL SPECIALISTS, 1150 N HUDSON ST 49331-0000	(616) 897-8436	19765	1996	Internal Medicine	
<b>MARION</b>		<b>OSCEOLA</b>					
P	VOMASTEK, ROY L	108 SOUTH MILL STREET 49665-0000	(231) 743-9911	11378	1969	Family Practice/General Practice	
<b>MARQUETTE</b>		<b>MARQUETTE</b>					
P	OLSON, KURT R.	MARQUETTE MED/DENTAL CTR, 1414 W FAIR #134 49855-0000	(906) 226-2233	*	18693	1994	Family Practice/General Practice
<b>MIDLAND</b>		<b>MIDLAND</b>					
P	WOODRUFF, NATHANIEL	111 E WACKERLY ST STE D 48642-	(989) 832-0100	*	14674	1994	Cardiology
<b>MOUNT CLEMENS</b>		<b>MACOMB</b>					
	LITCH, BRIAN M.	MACOMB CARDIOVASCULAR GROUP, 1030 HARRINGTON BLVD., STE. 101 48043-	(586) 468-8500	01076	2010	Cardiology	
<b>MUNISING</b>		<b>ALGER</b>					
P	OLSON, KURT R.	MARQUETTE MED/DENTAL CTR, 1504 SAND POINT RD 49862-	(906) 387-4220	*	18693	1994	Family Practice/General Practice
<b>MUSKEGON</b>		<b>MUSKEGON</b>					
P	MCDONALD, JOHN E	107 SINCLAIR DRIVE 49441-0000	(231) 740-2631	*	21048	2000	Otorhinolaryngology
<b>NEGAUNEE</b>		<b>MARQUETTE</b>					
P	HUMPHREY, WILLIAM C	100 MALTON RD 49866-1016	(906) 475-4127	*	14466	1974	Family Practice/General Practice
<b>NORTHVILLE</b>		<b>WAYNE</b>					
P	COOPER, RICHARD F	215 E. MAIN STREET 48167-	(248) 761-4975	*	07933	1962	Aerospace Medicine
<b>NORWAY</b>		<b>DICKINSON</b>					
	HAYES, PAUL N	500 MAIN ST 49870-0000	(906) 563-9255	20897	1998	Family Practice/General Practice	
<b>NOVI</b>		<b>OAKLAND</b>					
	BURCH, KEITH H.	HENRY FORD HOSPITAL, 39450 12 MILE ROAD 48377-	(248) 344-0710	*	15265	1977	Internal Medicine
	ZAID, ROBERT R.	PRIME CARE OF NOVI, 39555 WEST TEN MILE RD., STE 302 48375-	(248) 426-7200	01117	2011	Family Practice/General Practice	
	SHIVELY, THEODORE W.	PRIME CARE OF NOVI, 39555 W. TEN MILE ROAD, STE. 302 48375-	(248) 426-7200	01124	2011	Family Practice/General Practice	
<b>PAW PAW</b>		<b>VAN BUREN</b>					
	DYKSTRA, BRIAN J	STARHEALTH PC, 451 HEALTH PARKWAY 49079-0000	(269) 655-1700	*	21055	2000	Pulmonary Medicine
<b>PETOSKEY</b>		<b>EMMET</b>					
	BANYAI, MICHAEL D	PETOSKEY URGENT CARE, 1890 US-131 SOUTH 49770-0000	(231) 487-2000	18612	1992	Internal Medicine	
A P	DECKINGA, BRUCE G	2206 MITCHELL PARK DR., UNIT 9 49770-0000	(231) 347-8905	*	15303	1978	General Surgery
<b>PLYMOUTH</b>		<b>WAYNE</b>					
P	GORDON, ROBERT J	965 S. MAIN 48170-	(734) 455-3530	*	21056	2000	Family Practice/General Practice

**MICHIGAN - (Cont.)**

<b>PORT HURON</b>		<b>SAINT CLAIR</b>							
P	CARLEY JR., GEORGE J.	DR. CARLEY & ASSOCIATES, 1943 HOLLAND AVENUE 48060-	(810) 985-5700	01785	2007	Family Practice/General Practice			
<b>ROCHESTER HILLS</b>		<b>OAKLAND</b>							
P	ROUMELL, THEODORE L	111 S. ROCHDALE DR., SUITE D 48309-	(248) 651-4004 *	15143	1976	Obstetrics/Gynecology			
<b>ROMULUS</b>		<b>WAYNE</b>							
P	GAYLES, CARLOS B	9301 MIDDLEBELT RD. 48174-	(734) 941-1000 *	14417	2001	General Surgery			
	DAVIS, GARY L.	MIDWEST MEDICAL CENTER-METRO, 9301 MIDDLEBELT ROAD 48174-2532	(734) 941-1000	01047	2009	Occupational/Industrial Medicine			
<b>ROYAL OAK</b>		<b>OAKLAND</b>							
P	GEORGE, MUMTAZ	ROYAL OAK MED CTR, 5130 COOLIDGE HWY 48073-0000	(248) 288-9500 *	15471	1980	Internal Medicine			
<b>SAGINAW</b>		<b>SAGINAW</b>							
P	PINNELL, GREGORY A	4821 HABES RIAD 48601-	(989) 793-6167 *	21072	2001	Family Practice/General Practice			
P	BROWN, MARSHALL A	685 WESTFIELD ST 48602-3304	(989) 793-6167 *	15347	1979	Otorhinolaryngology			
	BRASSEUR, JAMES K	1180 N RIVER RD 48609-0000	(989) 781-1999 *	11034	1966	Family Practice/General Practice			
P	BROWN, MARSHALL A	4821 JANES ROAD 48601-	(989) 793-6167 *	15347	1979	Otorhinolaryngology			
<b>SAINT JOHNS</b>		<b>CLINTON</b>							
	MC LAUGHLIN, KAY LYNN	ST JOHNS PROFESSIONAL ASSOC, 901 S OAKLAND 48879-0000	(989) 224-2338	19790	1996	Internal Medicine			
<b>SHELBY TOWNSHIP</b>		<b>MACOMB</b>							
	WARNER, ANTHONY S	OCCUPATIONAL HLTH SERVICES, 51863 SCHOENHER RD STE 101 48315-0000	(586) 991-0903 *	21100	2001	Occupational/Industrial Medicine			
<b>SPRING LAKE</b>		<b>OTTAWA</b>							
P	IVEY, MARK J	17357 VAN WAGNER RD, STE. 2 49456-0000	(616) 847-1009 *	19734	1994	Internal Medicine			
P	HAIGHT, PAUL A	601 W. SAVIDGE STREET 49456-0000	(231) 672-3100 *	15184	1977	Family Practice/General Practice			
<b>ST JOSEPH</b>		<b>BERRIEN</b>							
	STAFFORD, JOHN MICHA	3800 HOLLYWOOD ROAD 49085-0000	(269) 428-2552 *	18551	1990	Family Practice/General Practice			
<b>TAWAS CITY</b>		<b>IOSCO</b>							
	SHARMA, DEVENDRA K	TAWAS BAY FAMILY PRACTICE, 541 LAKE ST 48763-0000	(989) 362-3447	21108	2001	Family Practice/General Practice			
<b>TECUMSEH</b>		<b>LENAWEE</b>							
	DOMAN, DANIEL R	501 E CUMMINS ST 49286-0000	(517) 423-2960 *	18493	1988	Family Practice/General Practice			
<b>THREE RIVERS</b>		<b>SAINT JOSEPH</b>							
P	SCHAUER, STEPHEN R	19636 CRESCENT BEACH ROAD 49093-9046	(269) 278-5745 *	14400	1974	Family Practice/General Practice			
<b>TRAVERSE CITY</b>		<b>GRAND TRAVERSE</b>							
	WILCOX, DAVID J	906 BUSINESS PARK DRIVE 49686-0000	(231) 935-8750 *	18270	1984	Family Practice/General Practice			
	SPRINGSTEEN, PETER W	THE WALK-IN CLINIC, 3074 N US 31 SOUTH 49684-0000	(231) 935-0999 *	18620	1992	Family Practice/General Practice			
P	VLACH, JAN J	THE WALK-IN CLINIC, 3074 N US 31 SOUTH 49684-0000	(231) 935-0999 *	20827	1997	Occupational/Industrial Medicine			
	LESOSKI, DARRYL F	MUNSON OCCUP HEALTH & MEDICINE, 550 MUNSON AVE 49686-0000	(231) 935-8590 *	01598	2002	Occupational/Industrial Medicine			
P	KYFF, JEFFREY V	TRAVERSE ANESTHESIA ASSOC, 4100 PARK FOREST DR STE 210 49684-	(231) 935-5770 *	21065	2001	Anesthesiology			
<b>WATERFORD</b>		<b>OAKLAND</b>							
P	BUSCH, DANA M	5624 HIGHLAND ROAD 48327-	(248) 674-4110 *	21076	2001	General Surgery			
	LEIB, JOEL K	3560 PONTIAC LAKE RD 48328-4103	(248) 674-2259	14443	1974	Family Practice/General Practice			
<b>WAYLAND</b>		<b>ALLEGAN</b>							
	GULISH, GARY B	3587 12TH ST 49348-0000	(269) 792-2263	18353	1985	Family Practice/General Practice			
<b>WYOMING</b>		<b>KENT</b>							
P	MCDONALD, JOHN E	6105 WILSON AVENUE 49418-	(616) 748-2850 *	21048	2000	Otorhinolaryngology			
P	TERPSTRA, DALE G	ZEELAND PHYSICIANS, 6105 WILSON AVENUE 49418-	(616) 748-2850 *	01642	2003	Family Practice/General Practice			
<b>YPSILANTI</b>		<b>WASHTENAW</b>							
P	GORDON, ROBERT J	832 WILLOW RUN AIRPORT, STE 747 48197-	(734) 484-0088 *	21056	2000	Family Practice/General Practice			
<b>ZEELAND</b>		<b>OTTAWA</b>							
P	FOLKENING, MARK N	SOUTH STATE CENTER 400 S STATE ST, SUITE 200 49464-0000	(616) 741-9720 *	12866	1970	Family Practice/General Practice			
P	TERPSTRA, DALE G	ZEELAND PHYSICIANS, 8333 FELCH ST 49464-0000	(616) 748-2850 *	01642	2003	Family Practice/General Practice			

**MINNESOTA**

**MINNESOTA - (Cont.)**

<b>AITKIN</b>	<b>AITKIN</b>					
HUGHES, DONALD B	RIVERWOOD AITKIN CLINIC, 200 BUNKER HILL DR 56431-0000	(218) 927-2157	*	20854	1998	Family Practice/General Practice
<b>ALBERT LEA</b>	<b>FREEBORN</b>					
P SCHULZ, JOHN M.	ALBERT LEA MEDICAL CENTER, 404 W. FOUNTAIN STREET 56007-	(507) 373-2384		01803	2007	ANESTHESIOLOGY/PAIN
<b>ALEXANDRIA</b>	<b>DOUGLAS</b>					
ERHARD, GEORGE F	ALEXANDRIA CLINIC, 610 30TH AVE W 56308-3426	(320) 763-5123		18123	1981	Family Practice/General Practice
P RADJENOVICH, STEVEN	MIDWAY MEDICAL CLINIC, 119 30TH AVE W 56308-0000	(320) 763-6452	*	15324	1978	Family Practice/General Practice
<b>ANOKA</b>	<b>ANOKA</b>					
P SOLL, DONALD J	1187 BENTON ST 55303-	(763) 421-2892	*	17767	1994	Family Practice/General Practice
<b>APPLE VALLEY</b>	<b>DAKOTA</b>					
BENSON, SCOTT J.	APPLE VALLEY MEDICAL CENTER, 14655 GALAXIE AVE 55124-	(952) 432-6161	*	01747	2006	Family Practice/General Practice
<b>ARLINGTON</b>	<b>SIBLEY</b>					
P VENER, JOHN M	601 WEST CHANDLER 55307-0000	(507) 964-2271	*	11115	1966	Family Practice/General Practice
<b>AUSTIN</b>	<b>MOWER</b>					
TOTH, MICHAEL G.	AUSTIN MEDICAL CENTER - MAYO HLTH SYST., 1000 FIRST DRIVE NW 55912-	(507) 433-7351		01074	2010	Family Practice/General Practice
<b>BENSON</b>	<b>SWIFT</b>					
HORECKA, RICHARD R.	1805 WISCONSIN AVENUE 56215-1653	(320) 843-2030		18310	1985	Family Practice/General Practice
<b>BLAINE</b>	<b>ANOKA</b>					
REHMANN, RONALD E.	ANOKA COUNTY AIRPORT, 8891 AIRPORT ROAD B-2 55449-0000	(763) 253-4004	*	14089	1973	Family Practice/General Practice
<b>BURNSVILLE</b>	<b>DAKOTA</b>					
P LAKIN, JAMES D.	MN ALLERGY & ASTHMA CONSULTS., 300 W BURNSVILLE PARKWAY, STE 200 55337-	(952) 223-3050	*	01689	2004	Internal Medicine
<b>COLUMBIA HEIGHTS</b>	<b>ANOKA</b>					
MEYER, JEFFREY D.	COLUMBIA PARK CLNC, 4000 CENTRAL AVE NE 55421-0000	(763) 572-5710		20837	1997	Occupational/Industrial Medicine
<b>CROOKSTON</b>	<b>POLK</b>					
P KANTEN, ERIK JON	RIVERVIEW CLINIC, 323 S. MINNESOTA ST 56716-1808	(218) 281-9595		18496	1988	Family Practice/General Practice
<b>DETROIT LAKES</b>	<b>BECKER</b>					
REFSLAND, BRADLEY A.	DAKOTA CLINIC, 125 FRAZEE STREET EAST 56501-0000	(218) 844-2300		18254	1984	Family Practice/General Practice
<b>DULUTH</b>	<b>SAINT LOUIS</b>					
ARVOLD JR, DAVID S	ST. LUKE'S INTERNAL MED ASSOC, 1001 E SUPERIOR ST 55805-0000	(218) 249-7960		15466	1980	Internal Medicine
JONES, PAUL A.	ESSENTIA HEALTH LAKEWALK, 1502 LONDON ROAD, SUITE 102 55812-	(218) 727-8228		01059	2009	Family Practice/General Practice
ANDERSON, CRAIG E	ESSENTIA HEALTH LAKEWALK, 1502 LONDON ROAD, SUITE 102 55812-0000	(218) 727-8228	*	15282	1978	Family Practice/General Practice
<b>EDINA</b>	<b>HENNEPIN</b>					
JETZER, THOMAS C	6515 BARRIE RD STE 150 55435-0000	(952) 920-5663	*	15391	1979	Occupational/Industrial Medicine
SIDELL, PHILIP ALDEN	MORNINGSIDE FAMILY PHYSICIANS, 3920 SUNNYSIDE ROAD 55424-0000	(952) 926-3002	*	18525	1989	Family Practice/General Practice
HIRT, RICHARD F.	OCC MED CONSULTANTS, 6515 BARRIE RD, STE# 150 55435-0000	(952) 920-5663	*	20898	1998	Family Practice/General Practice
PETERSON, GERALD F.	OCCUPATIONAL MEDICINE CONSULTANTS, 6515 BARRIE ROAD STE 150 55435-	(952) 920-5663	*	01755	2006	Occupational/Industrial Medicine
NELSON, DAVID M.	FRANCE AVE. FAMILY PHYSICIANS, 7250 FRANCE AVE. S, SUITE 410 55435-	(952) 831-1551		01035	2009	Family Practice/General Practice
<b>FARMINGTON</b>	<b>DAKOTA</b>					
KAMMUELLER, KARLA F	ALLINA MED CLINIC - FARMINGTON, 21260 CHIPPENDALE AVE. WEST 55024-0000	(651) 463-7181		21082	2001	Family Practice/General Practice
<b>FERGUS FALLS</b>	<b>OTTER TAIL</b>					
MONEY, BRUCE E	FERGUS FALLS MED GROUP 615 SOUTH MILL 56537-0000	(218) 739-2221		18574	1990	Internal Medicine
<b>FRIDLEY</b>	<b>ANOKA</b>					
LUHMAN, CHRISTOPHER	MULTICARE ASSOCIATES, 7675 MADISON STREET NE 55432-	(763) 785-4300		01709	2005	Family Practice/General Practice
<b>GRAND RAPIDS</b>	<b>ITASCA</b>					
P RALSTON, ROGER A	GRAND ITASCA CLINIC & HOSP WEST BLDG, 1601 GOLF COURSE RD 55744-	(218) 326-5000		15392	1979	Internal Medicine
<b>HIBBING</b>	<b>SAINT LOUIS</b>					
P COPEMAN, JEFFREY A	3605 MAYFAIR AVE 55746-0000	(218) 262-3441		21112	2002	Family Practice/General Practice
CARDWELL, MITCHELL L.	1120 E 34TH ST 55746-0000	(218) 362-7100	*	07669	1998	Family Practice/General Practice

**MINNESOTA - (Cont.)**

<b>HUTCHINSON</b>		<b>MCLEOD</b>						
REMPLE, TIMOTHY A	HUTCHINSON MEDICAL CENTER, 3 CENTURY AVE 55350-0000	(320) 587-2020	20838	1997	Family Practice/General Practice			
<b>INTERNATIONAL FALLS</b>		<b>KOOCHICHING</b>						
HELLELOID, CHARLES R	2501 KEENAN DR 56649-0000	(218) 283-9431	18641	1993	Family Practice/General Practice			
<b>INVER GROVE HEIGHTS</b>		<b>DAKOTA</b>						
LAMEY JR., JOHN D.	5972 CAHILL AVE STE 112 55076-	(651) 451-6954	18255	1984	Family Practice/General Practice			
<b>MAHNOMEN</b>		<b>MAHNOMEN</b>						
REFSLAND, BRADLEY A.	DAKOTA CLINIC, 117 MAIN STREET NORTH 56557-	(218) 936-5616	18254	1984	Family Practice/General Practice			
<b>MANKATO</b>		<b>BLUE EARTH</b>						
P GALVIN, CARROLL M	EASTRIDGE CLINIC, 101 MARTIN LUTHER KING JR. DRIVE 56001-0000	(866) 340-5399 *	15258	1977	Family Practice/General Practice			
FLEMING, RICHARD H	ISJ CLINIC-EAST RIDGE, 101 MARTIN LUTHER KING JR. DR 56001-0000	(507) 385-6500 *	21045	2000	Family Practice/General Practice			
<b>MAPLE GROVE</b>		<b>HENNEPIN</b>						
ABRAHAM, DENNIS J	FAIRVIEW MAPLE GROVE MED CTR, 14500 99TH AVENUE NORTH 55369-0000	(763) 898-1000	21283	2001	Family Practice/General Practice			
<b>MAPLEWOOD</b>		<b>RAMSEY</b>						
BECKERT, BORIS M	HEALTHEAST MAPLEWOOD CLINIC, 3100 KENNARD STREET 55109-	(651) 232-7800 *	01669	2004	Family Practice/General Practice			
MCCONNELL, CAMERON	MINN HLTH FAM PHYSICIANS, 2716 UPPER AFTON RD 55119-0000	(651) 739-5050	20800	1997	Family Practice/General Practice			
<b>MARSHALL</b>		<b>LYON</b>						
MEISTER, STEVEN T.	AFFILIATED COMMUNITY MED. CTR, 1420 E. COLLEGE DRIVE 56258-	(507) 532-1101	01016	2008	Family Practice/General Practice			
<b>MINNEAPOLIS</b>		<b>HENNEPIN</b>						
O'CONNELL, KEVIN T	US HEALTHWORKS MEDICAL GROUP, 7550 34TH AVE SOUTH 55450-0000	(612) 727-1167 *	18388	1986	Internal Medicine			
WALL, KEVIN S.	US HEALTHWORKS MEDICAL GROUP, 7550 34TH AVE SOUTH 55450-	(612) 727-1167 *	20909	1999	Occupational/Industrial Medicine			
<b>MINNETONKA</b>		<b>HENNEPIN</b>						
P KIMBERLEY, BARRY P	ENT & SLEEP ASSOCIATES, 14001 RIDGEDALE DRIVE, #330 55305-	(612) 465-0123	01129	2011	Otorhinolaryngology			
<b>MORA</b>		<b>KANABEC</b>						
P FLEMING, JANICE LEE	FIRST LIGHT HEALTH SYSTEM, 301 HIGHWAY 65 S 55051-	(320) 679-1212	21127	2002	Internal Medicine			
<b>MORRIS</b>		<b>STEVENS</b>						
A P STOCK, JOHN F	PRAIRIE MEDICAL ASSOCIATES, 24 EAST 7TH ST 56267-0410	(320) 589-4008 *	14549	1975	Internal Medicine			
<b>NORTH BRANCH</b>		<b>CHISAGO</b>						
PIOTROWSKI, WILLIAM C	FAIRVIEW LAKES MED CLNC, 6413 OAK STREET 55056-0000	(651) 674-8353 *	20857	1998	Family Practice/General Practice			
<b>PARK RAPIDS</b>		<b>HUBBARD</b>						
P CORFMAN, RANDLE S	301 AIRPORT ROAD 56470-0000	(800) 508-9763	21126	2002	Obstetrics/Gynecology			
<b>PIPESTONE</b>		<b>PIPESTONE</b>						
CHRISTENSEN, LARRY D	920 FOURTH AVENUE SOUTHWEST 56164-1054	(507) 825-4221	15423	1980	Family Practice/General Practice			
<b>PRINCETON</b>		<b>MILLE LACS</b>						
METCALF, MICHAEL D	FAIRVIEW PRINCETON CLINIC, 919 NORTHLAND DRIVE 55371-1517	(763) 389-3344	15417	1980	Family Practice/General Practice			
<b>PRIOR LAKE</b>		<b>SCOTT</b>						
LEHRER, ROBERT D	FAIRVIEW RIDGE VALLEY CLINIC, 4151 WILLOWWOOD ST 55372-0000	(952) 226-2600 *	21066	2000	Family Practice/General Practice			
<b>REDWOOD FALLS</b>		<b>REDWOOD</b>						
P OLSON, ALAN G	ACMC - REDWOOD FALLS, 1100 EAST BROADWAY ST 56283-0000	(507) 637-2985 *	01624	2003	Family Practice/General Practice			

**MINNESOTA - (Cont.)**

**ROCHESTER**

STEINKRAUS, LAWRENC	MAYO CLINIC, ROCHESTER, 200 FIRST AVENUE, SW 55905-	(507) 284-3211	*	01026	2008	Aerospace Medicine
BARRIER, PATRICIA A	MAYO CLINIC, 200 FIRST ST SW 55905-	(507) 284-3211	*	01710	2005	Family Practice/General Practice
HEILING, VALARIE J	OLMSTED MEDICAL GROUP, 210 SE NINETH ST 55904-0000	(507) 288-3443		21080	2001	Internal Medicine
MILLMAN, MARTHA P	MAYO CLINIC, 200 FIRST ST SW 55905-0000	(507) 284-2288	*	21117	2001	Internal Medicine
P COWL, CLAYTON T	MAYO CLINIC, 200 FIRST ST SW BALDWIN 5A 55905-0000	(507) 266-0354	*	20879	1998	Internal Medicine
BUCHTA, WILLIAM G	MAYO CLINIC DEPT OF INT MED, 200 FIRST ST SW 55905-0000	(507) 284-2511	*	20895	1998	Occupational/Industrial Medicine
CHRISTIANA, RICHARD L	OLMSTED MED/SURG, 210 SE 9TH ST 55903-0000	(507) 288-3443		15541	1980	Family Practice/General Practice
P CLAUS, PAUL L	MAYO CLINIC, 200 FIRST ST SOUTHWEST 55905-0001	(507) 284-2511	*	18440	1987	Internal Medicine
BANFIELD, FRED D	ROCHESTER FAMILY MEDICINE CLINIC, 40 SOUTHEAST 16TH ST 55904-7987	(507) 288-0124	*	04280	1965	Family Practice/General Practice

**OLMSTED**

**SAINT LOUIS PARK**

P SALITERMAN, STEVEN S	MEADOWBROOK MEDICAL BLDG, W-110, 3931 LOUISIANA AVENUE 55426-	(952) 920-8771	*	18199	1982	Internal Medicine
------------------------	---	----------------	---	-------	------	-------------------

**SAINT PAUL**

KIPP, JOHN LANSING	MINNESOTA OCCUPATIONAL HLTH, 1661 ST. ANTHONY AVE, 2ND FLOOR 55104-	(651) 968-5300	*	18582	1991	Internal Medicine
--------------------	---	----------------	---	-------	------	-------------------

**STILLWATER**

HIPP, CHARLES J	STILLWATER MEDICAL GROUP, 1500 CURVE CREST BLVD 55082-0000	(651) 439-1234	*	18194	1982	Internal Medicine
WITTE, MARIE L.	STILLWATER MEDICAL GRP, 1500 CURVE CREST BLVD 55082-	(651) 439-1234	*	01735	2005	Internal Medicine

**WACONIA**

SOMERS, DONALD E	LAKEVIEW CLINIC LTD, 424 STATE HWY 5 W 55387-0000	(952) 442-4461	*	18573	1991	Internal Medicine
------------------	---	----------------	---	-------	------	-------------------

**WALKER**

P HAUGEN, BURTON L	MERITCARE - WALKER, PO BOX 1390 614 MICHIGAN AVENUE 56484-0000	(218) 547-7700		18361	1985	Family Practice/General Practice
--------------------	--	----------------	--	-------	------	----------------------------------

**WASECA**

HAMMELL, LUCAS J	MAYO CLINIC HEALTH SYSTEM - WASECA, 501 N STATE STREET 56093-	(507) 835-1210		01128	2011	Family Practice/General Practice
------------------	---	----------------	--	-------	------	----------------------------------

**WILLMAR**

HODAPP, ROBERT E	WILLMAR MED CTR, 101 WILLMAR AVE 56201-0000	(320) 231-5000		15521	1980	Family Practice/General Practice
------------------	---	----------------	--	-------	------	----------------------------------

**WINDOM**

DYNES, RODNEY WAYNE	UNITED MEDICAL CLINIC, 820 2ND AVE PO BOX 338 56101-0000	(507) 831-1703		18592	1991	Family Practice/General Practice
---------------------	--	----------------	--	-------	------	----------------------------------

**WINONA**

DAVIS, WILLIAM E	825 MANKATO AVENUE SUITE 210 55987-0000	(507) 454-5050	*	15533	1980	Family Practice/General Practice
------------------	---	----------------	---	-------	------	----------------------------------

**HENNEPIN**

**RAMSEY**

**WASHINGTON**

**CARVER**

**CASS**

**WASECA**

**KANDIYOHI**

**COTTONWOOD**

**WINONA**

**NORTH DAKOTA**

**BISMARCK**

HAPPEL, KEITH R	MID DAKOTA CLINIC, 401 N 9TH ST 58501-0000	(701) 530-6000	*	21063	2000	Internal Medicine
P SCHERR, STEVEN J.	MID DAKOTA CLINIC, 401 N. 9TH STREET 58506-	(701) 530-6460	*	01696	2005	Family Practice/General Practice

**BOWMAN**

LANCHBURY, FORREST I	SW HEALTHCARE SERVICES, 12 SIXTH AVENUE SW PO BOX C 58623-	(701) 523-3226		20316	1998	Family Practice/General Practice
----------------------	--	----------------	--	-------	------	----------------------------------

**CANDO**

PETTY, RUSSELL W	TOWNER COUNTY MEDICAL CENTER, HWY 281 NORTH PO BOX 688 58324-0688	(701) 968-4411		18312	1985	Family Practice/General Practice
------------------	---	----------------	--	-------	------	----------------------------------

**CROSBY**

EVANS, PATRICK J.	CROSBY CLINIC, 702 1ST STREET SW, POB 10 58730-	(701) 965-6349		01053	2009	Family Practice/General Practice
-------------------	---	----------------	--	-------	------	----------------------------------

**DEVILS LAKE**

PETTY, RUSSELL W	TOWNER COUNTY MEDICAL CENTER, 425 S. COLLEGE DR., SUITE 14 58301-	(701) 662-8662		18312	1985	Family Practice/General Practice
------------------	---	----------------	--	-------	------	----------------------------------

**BURLEIGH**

**BOWMAN**

**TOWNER**

**DIVIDE**

**RAMSEY**

**NORTH DAKOTA - (Cont.)**

**FARGO**

	BEAUCLAIR, JOHN G.	3838 12TH AVE NORTH 58102-0000	(701) 234-4700	*	18673	1994	Family Practice/General Practice
P	NAGLE, THOMAS D	MERITCARE SOUTH POINT CLINIC, 2400 32ND AVENUE, SOUTH 58103-	(701) 261-1213	*	14835	1979	Orthopedic Surgery
A P	FRISK, JAMES L	2700 12TH AVE SW STE D 58103-0000	(701) 235-1924		14827	1978	Otorhinolaryngology
	MICKELSON, JOHN G.	MERITCARE OCCUPATIONAL HLTH, 3838 12TH AVENUE N 58102-	(701) 234-4700	*	01017	2008	Occupational/Industrial Medicine
A P	GLATT, DAVID J.	MERITCARE SOUTH POINTE CLINIC, 2400 32ND AVE SO 58103-0000	(701) 234-8830	*	14733	1977	Family Practice/General Practice
	MARTINO, ROBERT M	MERITCARE OCCUP HEALTH, 3838 12TH AVE NORTH 58102-0000	(701) 234-4700	*	01591	2002	Family Practice/General Practice

**CASS**

**GRAND FORKS**

	GOMEZ, YVONNE L	ALTRU FAMILY MED CTR, 1380 S COLUMBIA RD 58201-0000	(701) 795-2239		20896	1998	Family Practice/General Practice
	KRUGER, MICHAEL S.	VALLEY BONE & JOINT CLINIC, 3035 DEMERS AVENUE 58201-	(701) 746-7521		01024	2008	Family Practice/General Practice
	LANGE, MARSHA M.	AURORA FAMILY MEDICINE CLINIC, 1451 44TH AVE. SOUTH, STE. 121D 58201-	(701) 732-2700		01731	2005	Family Practice/General Practice
	JENSEN, WARREN C	JOHN A. SWENSON STUDENT HLTH SRVC, 2891 2ND AVE., NORTH, STOP 9038 58202-9038	(701) 777-2605	*	18420	1986	Family Practice/General Practice
	CHRISTENSON, MARK J	JOHN A. SWENSON STUDENT HLTH SRVC, 2891 2ND AVE., NORTH, STOP 9038 58202-9038	(701) 777-4500	*	01619	2003	Family Practice/General Practice
P	HEINLEY, TIMOTHY M	JOHN A. SWENSON STUDENT HLTH SRVC, 2891 2ND AVE., NORTH, STOP 9038 58202-9038	(701) 777-4500	*	20841	1997	Family Practice/General Practice

**GRAND FORKS**

**HARVEY**

	NYHUS, CHARLES D	CENTRAL DAKOTA CLINIC, 922 LINCOLN AVENUE 58341-0000	(701) 324-4856		18556	1990	Family Practice/General Practice
--	------------------	--	----------------	--	-------	------	----------------------------------

**WELLS**

**JAMESTOWN**

P	ERNSTER, DALE J	DAKOTA CLINIC JAMESTOWN, 401 THIRD ST SE 58401-0000	(701) 252-0120		19758	1995	Family Practice/General Practice
---	-----------------	---	----------------	--	-------	------	----------------------------------

**STUTSMAN**

**MANDAN**

P	KLEIN, DALE A.	Q & R CLINIC NORTH MANDAN, 910 NW 18TH ST 58554-	(701) 667-5100	*	01728	2005	Family Practice/General Practice
---	----------------	--	----------------	---	-------	------	----------------------------------

**MORTON**

**MINOT**

P	REEVE, HOWARD E	400 E BURDICK EXPWY PO BOX 1489 58702-1489	(701) 857-7840	*	18623	1992	Family Practice/General Practice
---	-----------------	--	----------------	---	-------	------	----------------------------------

**WARD**

**RUGBY**

	SEILER, HUBERT L	JOHNSON CLINIC, 800 THIRD AVENUE SOUTHWEST 58368-1645	(701) 776-5235		17910	1980	Family Practice/General Practice
--	------------------	---	----------------	--	-------	------	----------------------------------

**PIERCE**

**WAHPETON**

P	OSTMO, ROBERT P	MERITCARE WAHPETON CLNC, 332 N SECOND AVE 58075-0000	(701) 642-7000		18649	1993	Family Practice/General Practice
---	-----------------	--	----------------	--	-------	------	----------------------------------

**RICHLAND**

**WATFORD CITY**

	RAMAGE, GARY W	MCKENZIE CO CLNC, 525 N MAIN ST POB 585 58854-0000	(701) 842-3771		19787	1997	Family Practice/General Practice
--	----------------	--	----------------	--	-------	------	----------------------------------

**MCKENZIE**

**WESTHOPE**

	KIHLE, KENNETH W	WESTHOPE CLINIC, PO BOX 383 58793-0000	(701) 245-6638		08145	1964	Family Practice/General Practice
--	------------------	--	----------------	--	-------	------	----------------------------------

**BOTTINEAU**

**WILLISTON**

P	WIENS, GLENN A	CRAVEN-HAGAN CLINIC LTD, 1213 15TH AVE W 58801-0000	(701) 572-7651	*	19808	1996	Family Practice/General Practice
---	----------------	---	----------------	---	-------	------	----------------------------------

**WILLIAMS**

**OHIO**

**AKRON**

	SANTOSO, IVAN	MED WORKS URGENT CARE, 3333 MASSILON RD STE 102 44312-	(330) 896-3036	*	21120	2001	Family Practice/General Practice
--	---------------	--	----------------	---	-------	------	----------------------------------

**SUMMIT**

**AMESVILLE**

P	FREDRICKS, TODD R	2 HARRISON ST PO BOX 82 45711-	(740) 350-5266	*	20858	1999	Family Practice/General Practice
---	-------------------	--------------------------------	----------------	---	-------	------	----------------------------------

**ATHENS**

**ARCHBOLD**

	LEHMAN, KEITH J	ARCHBOLD MED GRP, 121 WESTFIELD DR 43502-0000	(419) 445-2015	*	18341	1985	Family Practice/General Practice
--	-----------------	---	----------------	---	-------	------	----------------------------------

**FULTON**

**ASHLAND**

P	STEINHAUSER, RAYMON	701 A COUNTY ROAD 1102 44805-	(419) 908-5389	*	01022	2008	ANESTHESIOLOGY
---	---------------------	-------------------------------	----------------	---	-------	------	----------------

**ASHLAND**

**BATAVIA**

P	BERKS, BERNARD L.	TAYLOR RD, 2ND FL MED. SUITE C/O SPORTMAN'S MARKET 45103-9747	(513) 732-6682	*	04996	1960	Family Practice/General Practice
---	-------------------	---	----------------	---	-------	------	----------------------------------

**CLERMONT**

**BEACH CITY**

	DURISHIN, MICHAEL R	9210 JUSTUS AVE SW 44608-9797	(330) 756-3036		07228	1964	Family Practice/General Practice
--	---------------------	-------------------------------	----------------	--	-------	------	----------------------------------

**STARK**

**BEACHWOOD**

	CARROL, ANNE M	3619 PARK EAST DR SOUTH BLDG STE 311 44122-0000	(216) 831-3494	*	20850	1998	Internal Medicine
--	----------------	---	----------------	---	-------	------	-------------------

**CUYAHOGA**

## OHIO - (Cont.)

<b>BELLBROOK</b>		<b>GREENE</b>						
P	BLESER, SCOTT D	BELLBROOK MEDICAL CENTER, 4336 STATE ROUTE 725 45305-0000	(937) 848-4141	19810	1997	Family Practice/General Practice		
<b>BELPRE</b>		<b>WASHINGTON</b>						
P	FREDRICKS, TODD R	2505 WASHINGTON BLVD STE E 45714-0000	(740) 350-5266 *	20858	1999	Family Practice/General Practice		
<b>BEREA</b>		<b>CUYAHOGA</b>						
	BLANKFIELD, ROBERT P.	201 FRONT STREET, SUITE 101 44017-	(440) 243-7299	01083	2010	Family Practice/General Practice		
<b>BOARDMAN</b>		<b>MAHONING</b>						
	KIM, JUNG MIN	45 MCCLURG RD 44512-	(330) 729-1480	01662	2004	Internal Medicine		
<b>BOWLING GREEN</b>		<b>WOOD</b>						
	BELL, D WAYNE	BOWLING GREEN FAMILY CARE, 1037 CONNEAUT AVE., STE. 206 43402-0000	(419) 353-6225	19785	1996	Family Practice/General Practice		
<b>CANAL WINCHESTER</b>		<b>FRANKLIN</b>						
	KONOLD, DANIEL EVAN	CENTRAL OH PRIMARY CARE, 6201 GENDER ROAD 43110-0000	(614) 834-8042 *	18585	1991	Family Practice/General Practice		
	LANE, EDWARD J.	DILEY RIDGE FAMILY HEALTH, 7901 DILEY ROAD, SUITE 200 43110-	(614) 835-3838	01044	2009	Family Practice/General Practice		
<b>CANTON</b>		<b>STARK</b>						
	REICHERT, RICHARD J	CENTER OCCUPATIONAL MED, 2626 FULTON DR NW 44718-0000	(330) 453-6050 *	19766	1996	Occupational/Industrial Medicine		
A P	HAMILTON III, ROBERT	128 WERTZ AVE NW STE A 44708-	(330) 453-7339 *	18193	1982	Obstetrics/Gynecology		
	MARVIN, MICHAEL J	AULT WORKS, 4650 HILLS AND DALES ROAD 44708-0000	(330) 491-9675 *	01639	2003	Occupational/Industrial Medicine		
<b>CENTERVILLE</b>		<b>MONTGOMERY</b>						
	ROGERS, WILLIAM E	7076 CORPORATE WAY 45459-0000	(937) 434-0555 *	18475	1988	Preventive Medicine/Public Health		
<b>CHAGRIN FALLS</b>		<b>CUYAHOGA</b>						
P	LONG, DONALD E	551 WASHINGTON ST 44022-4446	(440) 893-9393 *	18394	1986	Internal Medicine		
<b>CHILLICOTHE</b>		<b>ROSS</b>						
	OTTEN, CARL E.	ADENA REGIONAL MEDICAL CTR, 272 HOSPITAL RD 45601-	(740) 779-7813	20273	2004	Occupational/Industrial Medicine		
<b>CINCINNATI</b>		<b>HAMILTON</b>						
P	CHANDLER, PAUL T	9393 FIELDS ERTEL RD 45249-0000	(513) 677-1919 *	12258	1975	Internal Medicine		
	NGUYEN, THOMAS B	NGUYEN MEDICAL GROUP, 3020 BURNET AVE 45219-2420	(513) 751-0080 *	01640	2003	Internal Medicine		
	CAPURRO, JOHN R.	3020 BURNET AVENUE 45219-	(513) 751-0080 *	18413	1986	Family Practice/General Practice		
	JACOBSON, LEONARD	7770 COOPER ROAD 45242-7727	(513) 793-9040	14519	1975	Ophthalmology		
P	ROTH, ELI M.	GREATER CIN. CARDIO. CONSULT., ATTN: JENNIFER SELM 2123 AUBURN AVE STE 624 45219-	(513) 751-4222 *	01742	2006	Internal Medicine		
P	HELD, JOHN S	GREATER CINC. CARDIO. CONSULT., 2123 AUBURN AVE STE 624 45219-0000	(513) 751-4222 *	21095	2001	Cardiology		
	WARD, DENNIS J.	STEIN AVIATION, 3020 BURNET AVENUE 45219-	(513) 248-0100	01110	2010	Family Practice/General Practice		
<b>CLAYTON</b>		<b>MONTGOMERY</b>						
P	KEYES, WALTER W.	210 SMITH DRIVE 45315-	(937) 836-4000 *	14356	1973	Family Practice/General Practice		
<b>CLEVELAND</b>		<b>CUYAHOGA</b>						
	LANG, RICHARD S	9500 EUCLID AVE A-11 44195-4712	(216) 444-6842 *	18407	1986	Internal Medicine		
<b>COLUMBUS</b>		<b>FRANKLIN</b>						
P	ALLEN, JOHN G	OLENTANGY EYE & LASER ASSOC INC, 3525 OLENTANGY RIVER RD STE 5310 43214-0000	(614) 267-4122	01656	2004	Ophthalmology		
	WYND, MARY ANN	OSU OCCUUPATIONAL MEDICINE, 543 TAYLOR AVENUE, CAREPOINT EAST 43203-	(614) 688-6492 *	01764	2006	Family Practice/General Practice		
	SOTO, MARIA V	DOCTORS ON BETHEL RD, 1365 BETHEL RD 43220-0000	(614) 457-5477	01603	2002	Family Practice/General Practice		
P	KEARNS, JOSEPH E	4821 ROBERTS ROAD 43228-0000	(614) 850-1476 *	20799	1997	Occupational/Industrial Medicine		
<b>COSHOCTON</b>		<b>COSHOCTON</b>						
P	MEYER, JEROLD A.	FAMILY PHYSICIANS COSHOCTON, 440 BROWNS LANE 43812-0000	(740) 622-0332	18665	1993	Family Practice/General Practice		
<b>CUYAHOGA FALLS</b>		<b>SUMMIT</b>						
A P	HENAULT, CHARLES L	1630 SCHILLER AVENUE 44223-0000	(330) 923-1224 *	05165	1961	Family Practice/General Practice		
P	DAHLEN, DONALD A	265 PORTAGE TRAIL EXT W, #200 44223-0000	(330) 928-3111 *	18567	1990	Family Practice/General Practice		
<b>DAYTON</b>		<b>MONTGOMERY</b>						
P	SAHIAR, FARHAD	WRIGHT STATE UNIVERSITY, AEROSPACE MED-BOX 927 45401-0927	(937) 775-1312 *	20836	1997	Aerospace Medicine		
P	GARRISON, RICHARD T	3800 CLEARVIEW DRIVE, #21 45439-	(937) 257-8603 *	18647	1993	Aerospace Medicine		
<b>DELAWARE</b>		<b>DELAWARE</b>						
P	SCHOETTMER, JOHN T.	JETSTREAM CORPORATE CENTER, 1075 PITTSBURGH DR 43015-	(614) 746-5214 *	01697	2004	Family Practice/General Practice		



**OHIO - (Cont.)**

<b>DUBLIN</b>	<b>FRANKLIN</b>						
P MACKEY, SCOTT T	DUBLIN MEDICAL CLINIC, 6350 FRANTZ RD 43017-0000	(614) 764-5600	*	20840	1999	Family Practice/General Practice	
<b>FAIRFIELD</b>	<b>BUTLER</b>						
NGUYEN, THOMAS B	NGUYEN MEDICAL GROUP, 1251 NILLES RD STE 6 45014-0000	(513) 939-0800	*	01640	2003	Internal Medicine	
<b>FRANKLIN</b>	<b>WARREN</b>						
SNEEDER JR., WILLIAM	KETTERING WORKERS' CARE, 333 CONOVER DRIVE 45005-	(937) 746-8795	*	01793	2007	Aerospace Medicine	
<b>GAHANNA</b>	<b>FRANKLIN</b>						
P BAEHR, MICHAEL C	GAHANNA PRIMARY CARE, 504 HAVENS CORNERS ROAD 43230-0000	(614) 533-5300	*	20811	1997	Family Practice/General Practice	
<b>GALLIPOLIS</b>	<b>GALLIA</b>						
P ECONOMIDES, NICHOLA	HOLZER CLINIC, 90 JACKSON PIKE 45631-0000	(740) 446-5225		21147	1997	Plastic Surgery	
<b>GARFIELD HEIGHTS</b>	<b>CUYAHOGA</b>						
P OSTENDORF, RICHARD J	COMPANY HEALTH CARE, SOUTHSIDE CORP. CTR, STE 220 5595 TRANSPORTATION BLVD 44125-0000	(216) 587-5431		21049	2000	Occupational/Industrial Medicine	
<b>GERMANTOWN</b>	<b>MONTGOMERY</b>						
P BERKS, BERNARD L.	1265 WEST MARKET ST 45327-9373	(937) 855-4135	*	04996	1960	Family Practice/General Practice	
<b>HILLIARD</b>	<b>FRANKLIN</b>						
P POND, DAVID W.	THE POND FAMILY MEDICAL CTR INC, 4960 CEMETERY ROAD STE B 43026-	(614) 771-8811		01778	2007	Family Practice/General Practice	
<b>HILLSBORO</b>	<b>HIGHLAND</b>						
P TERRELL, PAUL W	6000 SR 247 BOX 340 45133-0340	(937) 393-4454	*	10180	1967	Family Practice/General Practice	
P BEERY, JEFFREY S	OSLER MEDICAL CENTER, 219 W MAIN ST PO BOX 37 45133-0000	(937) 393-6633	*	21037	1999	Internal Medicine	
<b>HUBER HEIGHTS</b>	<b>MONTGOMERY</b>						
SNEEDER JR., WILLIAM	KETTERING WORKERS' CARE, 8701 OLD TROY PIKE 45424-	(937) 237-6231	*	01793	2007	Aerospace Medicine	
<b>IRONTON</b>	<b>LAWRENCE</b>						
P DEROSA, JOSEPH	IRONTON HILLS MED CNTR, 1041 IRONTON HILLS DR 45638-0000	(740) 532-1188	*	21018	1999	Obstetrics/Gynecology	
<b>JACKSON</b>	<b>JACKSON</b>						
OTTEN, CARL E.	ADENA REGIONAL MEDICAL CTR, 1000 VETERANS DRIVE 45640-	(740) 395-6080		20273	2004	Occupational/Industrial Medicine	
<b>KETTERING</b>	<b>MONTGOMERY</b>						
HORNBECK, KEVIN L.	DAYTON CHEST MEDICINE, 3080 ACKERMAN BLVD., #100 45429-0000	(937) 396-1605	*	20888	1998	Internal Medicine	
P SMITH, ROBERT E.	DAYTON CHEST MEDICINE, 3080 ACKERMAN BLVD., #100 45429-	(937) 396-1605	*	01783	2007	Pulmonary Medicine	
P GARRISON, RICHARD T	3171 RESEARCH PARK, SUITE 161 45420-0000	(937) 775-1312	*	18647	1993	Aerospace Medicine	
<b>LANCASTER</b>	<b>FAIRFIELD</b>						
P MERK, JAMES A	RIVERVIEW MEDICAL CENTER, 2405 N. COLUMBUS ST., SUITE 200 43130-0000	(740) 687-0303	*	07207	1964	Family Practice/General Practice	
P MASONE, ROBERT JOHN	1750 GRANVILLE PIKE 43130-0000	(740) 653-2500	*	18529	1989	Anesthesiology	
<b>LIMA</b>	<b>ALLEN</b>						
P CURRY, ROBERT I	658 WEST MARKET STREET 45801-4653	(419) 222-7010	*	10105	1966	Family Practice/General Practice	
<b>LONDON</b>	<b>MADISON</b>						
P KHAN, SALEEM	MADISON MED CTR, 214 ELM ST 43140-0000	(740) 852-4100	*	18704	1994	Internal Medicine	
<b>LOVELAND</b>	<b>CLERMONT</b>						
RUBIN, BARRY A	LOVELAND FAMILY PRACTICE, 910 LOVELAND-MADEIRA RD. 45140-	(513) 683-5700		15528	1980	Family Practice/General Practice	
<b>MANSFIELD</b>	<b>RICHLAND</b>						
STRETANSKI, MICHAEL F	295 GLESSNER AVENUE 44903-	(419) 522-1100		01069	2010	PAIN MANAGEMENT/REHABILITATION	
<b>MARYSVILLE</b>	<b>UNION</b>						
P LEWIS, ROBERT I.	760 CLYMER RD. SUITE A 43040-	(614) 406-3433	*	20900	1998	Urology	
<b>MASON</b>	<b>WARREN</b>						
WEISBROT, ALBERT J	7451 MASON MONTGOMERY RD STE C 45040-0000	(513) 770-0330	*	21121	2001	Family Practice/General Practice	
<b>MAUMEE</b>	<b>LUCAS</b>						
P SWANN, GARY F	959 ILLINOIS AVE STE E 43537-0000	(419) 893-5588	*	19794	1996	Obstetrics/Gynecology	
<b>MENTOR</b>	<b>LAKE</b>						
SCHUTTE, NORBERT P	7750 REYNOLDS RD STE 100 44060-0000	(440) 946-7766	*	18526	1989	Occupational/Industrial Medicine	

## OHIO - (Cont.)

<b>MIDDLETOWN</b>		<b>BUTLER</b>					
P	FRAZER, MARK E	1010 SUMMIT DRIVE 45042-3499	(513) 424-0122	18414	1986	Family Practice/General Practice	
<b>MILFORD</b>		<b>CLERMONT</b>					
	CAPURRO, JOHN R.	201 OLD BANK ROAD, SUITE 103 45150-	(513) 248-0100 *	18413	1986	Family Practice/General Practice	
<b>MOUNT VERNON</b>		<b>KNOX</b>					
	GOODRICH, JAMES T.	MID-OHIO CORPORATE CARE, 1490 COSHOCTON ROAD 43050-	(740) 393-6553	01116	2011	Occupational/Industrial Medicine	
<b>NEW LEXINGTON</b>		<b>PERRY</b>					
P	ULRICH, STEPHEN C	PERRY COUNTY FAMILY PRACTICE, 1625 AIRPORT RD, PO BOX 596 43764-0596	(740) 342-5158 *	18364	1985	Family Practice/General Practice	
<b>NORTH LIMA</b>		<b>MAHONING</b>					
P	ROUSSEAU, WILLIAM R	10800 SHARROTT RD PO BOX 377 44452-0377	(330) 222-1424 *	14367	1973	Anesthesiology	
	MATTEUCCI, GERALD A	10800 SHARROT ROAD PO BOX 377 44452-	(330) 547-0064	21107	2001	Anesthesiology	
<b>NORTHFIELD</b>		<b>SUMMIT</b>					
	LENOX, JAMES C	7689 SAGAMORE HILLS BLVD 44067-2960	(330) 467-8101 *	15185	1977	Family Practice/General Practice	
<b>OTTAWA</b>		<b>PUTNAM</b>					
	BIERY, JOHN C	PO BOX 326 45875-0000	(419) 523-6329	15092	1976	Family Practice/General Practice	
<b>PARMA</b>		<b>CUYAHOGA</b>					
P	SAGHAFI, MEHDI	6681 RIDGE RD STE 300 44129-5705	(440) 842-1295 *	15393	1979	General Surgery	
<b>PAYNE</b>		<b>PAULDING</b>					
	KUHN, JOSEPH M	301 S MAIN ST BOX 529 45880-0000	(419) 263-2947 *	18699	1994	Family Practice/General Practice	
<b>PORTSMOUTH</b>		<b>SCIOTO</b>					
	WHEELER, WAYNE B.	729 SIXTH STREET 45662-	(740) 354-6169	01063	2009	Emergency Medicine	
<b>SAINT MARYS</b>		<b>AUGLAIZE</b>					
	TORRES-CORDERO, JUA	GRAND LAKE OCCUPATIONAL MED., 200 ST. CLAIR STREET 45885-	(419) 394-3335	01037	2009	Occupational/Industrial Medicine	
<b>SANDUSKY</b>		<b>ERIE</b>					
P	WORK, THOMAS A	5420 MILAN ROAD 44870-0000	(419) 557-5052 *	15395	1979	Internal Medicine	
<b>SPRINGBORO</b>		<b>WARREN</b>					
P	GARLAND, THEODORE C	360 WEST CENTRAL AVE 45066-1108	(937) 208-7101 *	14009	1972	Family Practice/General Practice	
	GARLAND, JOSEPH M.	360 WEST CENTRAL AVE 45066-1108	(937) 208-7100 *	18323	1985	Family Practice/General Practice	
<b>SPRINGDALE</b>		<b>HAMILTON</b>					
	VILLEGAS, STEVEN D	360 GLENSPRINGS DR 45246-0000	(513) 671-5050 *	21073	2001	Internal Medicine	
<b>SPRINGFIELD</b>		<b>CLARK</b>					
P	HICKERSON, TIMOTHY W	2331 DERR RD 45503-0000	(937) 390-3040 *	21081	2001	Internal Medicine	
	WAIKHOM, SANA D.	2501 EAST HIGH STREET 45505-0000	(937) 328-8700 *	20885	1998	Emergency Medicine	
<b>TOLEDO</b>		<b>LUCAS</b>					
	WELDY, DAVID L	UNIVERSITY OF TOLEDO, COLLEGE OF MEDICINE, RUPERT CENTER 3000 ARLINGTON AVE, SUITE M 43614-	(419) 383-5555	01594	2002	Family Practice/General Practice	
	SAVANOOR, UMA	OCCUHEALTH, 2150 W CENTRAL AVE 43606-	(419) 291-4290 *	01676	2004	Family Practice/General Practice	
<b>TROY</b>		<b>MIAMI</b>					
	DELCAMP, DON	31 S. STANFIELD DRIVE, SUITE 202 45373-	(937) 335-3561	01775	2006	Orthopedic Surgery	
<b>UPPER SANDUSKY</b>		<b>WYANDOT</b>					
	STRETANSKI, MICHAEL F	885 N. SANDUSKY STREET 43351-	(419) 294-5887	01069	2010	PAIN MANAGEMENT/REHABILITATION	
<b>URBANA</b>		<b>CHAMPAIGN</b>					
P	HICKERSON, TIMOTHY W	6488 UPPER VALLEY PIKE 43078-	(937) 390-3040 *	21081	2001	Internal Medicine	
<b>WADSWORTH</b>		<b>MEDINA</b>					
	ZEIGER, TODD M.	SHARON FAMILY PHYSICIANS, 5133 RIDGE ROAD 44281-	(330) 239-4455 *	20847	1998	Family Practice/General Practice	
<b>WESTLAKE</b>		<b>CUYAHOGA</b>					
	WIRTZ, JOHN V	UNIVERSITY HOSP HEALTH SYSTEM, 25651 DETROIT RD STE 304 44145-0000	(440) 808-8620 *	21086	2001	Family Practice/General Practice	
<b>WILLARD</b>		<b>HURON</b>					
	SECOR, ROBERT W	WILLARD MEDICAL CENTER 218 MYRTLE AVE 44890-0000	(419) 933-2811	19728	1994	Family Practice/General Practice	
<b>WILMINGTON</b>		<b>CLINTON</b>					
	BATH, EDWIN F.	222 WEST MAIN ST 45177-2241	(937) 382-0918 *	15529	1980	Family Practice/General Practice	

## OHIO - (Cont.)

## YOUNGSTOWN

NOVAK, GLENN J 51 WESTCHESTER 44515-0000

(330) 799-1718 \* 18534 1990 Internal Medicine

## ZANESVILLE

P ROJEWSKI, THOMAS E 2945 MAPLE AVE 43701-0000

(740) 454-0158 \* 21060 2000 Otorhinolaryngology

## MAHONING

## MUSKINGUM

## SOUTH DAKOTA

## ABERDEEN

MOGEN, MARK P 105 S. STATE STREET, SUITE 113 57401-

(605) 225-0378 18399 1986 Family Practice/General Practice

## BRIDGEWATER

RIES, DENNIS RURAL MEDICAL CLINICS, PO BOX 17 57319-

(605) 729-2421 01716 2005 Family Practice/General Practice

## BROOKINGS

BIEN, MATT AVERA BROOKINGS MED. CLINIC, 400 22ND STREET 57006-

(605) 697-9500 \* 01767 2006 Internal Medicine

## CHAMBERLAIN

P JONES, JOHN B. MID-DAKOTA CLINIC, 300 S BYRON BLVD 57325-0000

(605) 734-6551 20881 1998 Family Practice/General Practice

## FLANDREAU

P BRUNING, GARY L FLANDREAU MEDICAL CLINIC, 212 N PRAIRIE 57028-0000

(605) 997-2471 \* 21075 2001 Family Practice/General Practice

## HURON

BELYEA, MARK E 530 IOWA AVENUE SE, SUITE 105 57350-0000

(605) 352-6040 20821 1997 Family Practice/General Practice

## MADISON

HEILMAN, BERNARD F 220 NORTHEAST 9TH STREET 57042-0000

(605) 256-3548 18515 1989 Family Practice/General Practice

## MILBANK

P BJORDAHL, KEVIN L MILBANK MEDICAL CTR, 803 E MILBANK AVE 57252-0000

(605) 432-4587 18400 1986 Family Practice/General Practice

## MITCHELL

EDINGER, DARLA D. AVERA QUEEN OF PEACE, 525 N. FOSTER 57301-

(605) 995-5701 \* 01031 2008 Internal Medicine

## PIERRE

HOFFSTEN, PHILLIP E. 100 MAC LANE 57501-

(605) 224-5901 17908 1980 Internal Medicine

## RAPID CITY

P ALLEN JR., ROBERT G. 4454 WEST GLEN PLACE 57702-6852

(605) 430-1602 19796 1996 Anesthesiology

## SIOUX FALLS

NORD, WESLEY J. 1115 E 20TH ST 57105-1013

(605) 339-1783 18430 1987 Family Practice/General Practice

HUNTINGTON, MARK K. CENTER FOR FAMILY MEDICINE, 1115 EAST 20TH STREET 57105-

(605) 339-1783 01029 2008 Family Practice/General Practice

## STURGIS

P JENTER, GEORGE W. STURGIS MEDICAL CENTER, 1010 BALLPARK RD STE 2 57785-0000

(605) 347-3684 \* 14172 1973 Family Practice/General Practice

## WATERTOWN

P PENGILLY, REBECCA L SANFORD CLINIC - WATERTOWN, 901 4TH ST NW 57201-0000

(605) 886-8471 01654 2003 Family Practice/General Practice

## WINNER

BERG, TONY L 825 EAST 8TH ST PO BOX 110 57580-0110

(605) 842-2626 18293 1984 Family Practice/General Practice

## YANKTON

P NEUMAYR, ROBERT J 1104 W EIGHTH ST POB 706 57078-3306

(605) 665-7841 14825 1978 Internal Medicine

## BROWN

## MCCOOK

## BROOKINGS

## BRULE

## MOODY

## BEADLE

## LAKE

## GRANT

## DAVISON

## HUGHES

## PENNINGTON

## MINNEHAHA

## MEADE

## CODINGTON

## TRIPP

## YANKTON

## WISCONSIN

## APPLETON

BORKOWSKI, MICHAEL A PROHEALTH WORKS, 2009 S. MEMORIAL DRIVE 54915-

(920) 380-4962 \* 19759 1995 Occupational/Industrial Medicine

## ASHLAND

BUTCHER, JANUS DALE PHYSICIANS SPECIALTY CLINIC - SMMC, 1625 MAPLE LANE 54806-

(715) 685-7500 \* 01612 2003 Sports Medicine

## BLACK RIVER FALLS

KELLEN, DAVID B. KROHN CLINIC LTD, 610 W ADAMS ST 54615-0000

(715) 284-4311 \* 18618 1992 Family Practice/General Practice

## BOSCOBEL

P FAST, WILLIAM P. BOSCOBEL CLNC SC, 208 PARKER ST 53805-1648

(608) 375-4144 \* 15532 1980 Family Practice/General Practice

## OUTAGAMIE

## ASHLAND

## JACKSON

## GRANT

**WISCONSIN - (Cont.)**

<b>BROOKFIELD</b>		<b>WAUKESHA</b>						
BONNER, THEODORE R	CONCENTRA, 2455 N. 124TH STREET 53005-	(262) 782-9326	*	18566	1991	Occupational/Industrial Medicine		
BROWN, DOUGLAS L.	17160 W. NORTH AVE., SUITE 202 53005-	(262) 797-6770		01797	2007	Internal Medicine		
<b>CHETEK</b>		<b>BARRON</b>						
P THALACKER, HOWARD A	335 PHILLIPS STREET 54728-9338	(715) 924-3750		15127	1976	Family Practice/General Practice		
<b>EAU CLAIRE</b>		<b>EAU CLAIRE</b>						
P SMITH, MICHAEL J	SOUTHSIDE MEDICAL CLINIC, 714 W HAMILTON AVE 54701-0000	(715) 830-9990		01631	2003	Internal Medicine		
<b>FOND DU LAC</b>		<b>FOND DU LAC</b>						
P GREEN, KEVIN R	FOX VALLEY WELLNESS CENTER, 180 KNIGHTS WAY 54935-0000	(920) 922-5433	*	20810	1997	Family Practice/General Practice		
<b>FORT ATKINSON</b>		<b>JEFFERSON</b>						
P BATES, DONALD E.	500 EDWARD ST 53538-2240	(920) 563-8280	*	11483	1970	Family Practice/General Practice		
<b>GREEN BAY</b>		<b>BROWN</b>						
BRESSLER, BRUCE C.	1921 AIRPORT DRIVE 54313-	(920) 497-4900		01084	2010	Neurosurgery		
SHERRILL, PIERCE M	AURORA BAY CARE, 2845 GREENBRIER RD PO BOX 8900 54308-8900	(920) 288-8100	*	21051	2000	Family Practice/General Practice		
<b>GREEN LAKE</b>		<b>GREEN LAKE</b>						
P WILLETT, THOMAS R	N 6205 BUSSE DR PO BOX 429 54941-0000	(920) 294-3444		15183	1977	Family Practice/General Practice		
<b>HARTLAND</b>		<b>WAUKESHA</b>						
P ARNOLD, KEVIN J	WMC-HARTLAND, 1500 WALNUT RIDGE DR 53029-0000	(262) 367-2128		19797	1997	Family Practice/General Practice		
<b>HUDSON</b>		<b>SAINT CROIX</b>						
SCHMITZ, STEPHEN R.	HUDSON PHYSICIANS, 403 STAGELINE RD 54016-0000	(715) 531-6800	*	18527	1989	Family Practice/General Practice		
P HELMEN, KEVIN D.	403 STAGELINE RD 54016-0000	(715) 531-6800	*	18703	1994	Internal Medicine		
<b>JANESVILLE</b>		<b>ROCK</b>						
P MOORE, MARK C	DEAN CLINIC, 580 N. WASHINGTON 53548-	(608) 755-3500	*	14832	1979	Internal Medicine		
MURDY, DAVID C.	DEAN CLINIC - JANESVILLE EAST, 3200 EAST RACINE STREET 53546-0000	(608) 371-8000	*	18684	1994	Internal Medicine		
<b>KAUKAUNA</b>		<b>OUTAGAMIE</b>						
BUTITTA, JOHN M	AFFINITY MEDICAL GROUP, 2601 FIELDCREST DRIVE 54130-0000	(920) 462-6100	*	18689	1994	Internal Medicine		
<b>KENOSHA</b>		<b>KENOSHA</b>						
ZIARKO JR. MITCHELL J	6308 EIGHTH AVE STE 2000 53143-0000	(262) 653-5300		15408	1979	Internal Medicine		
P SWERDLIN, HILEL	EAR, NOSE & THROAT FAM CLINIC OF WI SC, 3535 30TH AVENUE, SUITE 204 53144-	(262) 652-2887		01770	2006	OTOLARYNGOLOGY		
<b>LA CROSSE</b>		<b>LA CROSSE</b>						
JAEGER, JOHN G	SKEMP CLNC LTD, 800 WEST AVE SOUTH 54601-0000	(608) 782-9760	*	19740	1995	Anesthesiology		
P BLANK, WILLIAM A	W5843 VISTA DR 54601-0000	(608) 788-4889	*	15316	1978	Ophthalmology		
SCORBY, WILLIAM R.	GUNDERSEN LUTHERAN MED CTR, 1900 SOUTH AVE FOUNDERS BLDG ATTN OCCUP HEALTH SERVICES 54601-5494	(608) 775-6345	*	20892	1998	Occupational/Industrial Medicine		
<b>MADISON</b>		<b>DANE</b>						
P YEAZEL, ROY V	6417 ODANA ROAD 53719-1127	(608) 273-9839	*	15427	1980	General Surgery		
P LEMON, RICHARD A.	1 SOUTH PARK ST 53715-0000	(608) 287-2700		18339	1985	Orthopedic Surgery		
P MOORE, MARK C	DEAN CLINIC, 1313 FISH HATCHERY RD 53715-1911	(608) 252-8000	*	14832	1979	Internal Medicine		
<b>MANITOWOC</b>		<b>MANITOWOC</b>						
P AUGUSTINE, DAVID EARL	WORK HEALTH OPTIONS, 1650 S. 41ST STREET 54220-	(920) 320-4660		01050	2009	Family Practice/General Practice		
<b>MARSHFIELD</b>		<b>WOOD</b>						
KIRKHORN, STEVEN R	MARSHFIELD CLINIC, 1000 N OAK AVE 54449-5777	(715) 389-4799	*	21031	2004	Family Practice/General Practice		
<b>MAUSTON</b>		<b>JUNEAU</b>						
P HOFFMANN, DAVID M	MILE BLUFF MED CLNC, 1040 DIVISION ST 53948-0000	(608) 847-5000		18584	1991	Family Practice/General Practice		
<b>MEDFORD</b>		<b>TAYLOR</b>						
REUTER, MARK G.	MEMORIAL HEALTH CENT. CLINICS, 143 S. GIBSON STREET 54451-0000	(715) 748-2121		21024	1999	Family Practice/General Practice		
<b>MENASHA</b>		<b>WINNEBAGO</b>						
P SOUSEK, REID A.	AFFINITY MEDICAL GROUP, 878 AIRPORT ROAD 54952-	(920) 727-5982		01071	2010	Family Practice/General Practice		
MENET, RICHARD A.	AFFINITY OCCUP HEALTH, PO BOX 359 1186 APPLETON RD 54952-	(920) 727-8700	*	20904	1999	Internal Medicine		
<b>MENOMONEE FALLS</b>		<b>WAUKESHA</b>						
GVORA, THOMAS J	FROEDTERT HEALTH MEDICAL GROUP, W180 N7950 TOWN HALL RD 53051-0000	(262) 250-5100		01562	2002	Internal Medicine		

**WISCONSIN - (Cont.)**

<b>MENOMONIE</b>		<b>DUNN</b>	
P JOHNSON, DANIEL L	2211 STOUT ROAD 54751-2338	(715) 235-9671	* 18351 1985 Internal Medicine
<b>MILWAUKEE</b>		<b>MILWAUKEE</b>	
P JAKUBAITIS, TERRY CAR	704 E. LAYTON AVENUE 53207-	(262) 751-7963	* 01054 2009 Family Practice/General Practice
P KOMOROWSKI, RICHARD	9200 WEST WISCONSIN AVE 53226-3512	(414) 805-8443	15057 1975 Pathology
PETRO, NANCY B	AURORA HEALTH CARE, 4111 W. MITCHELL ST #300 53215-	(414) 385-8800	* 01606 2002 Occupational/Industrial Medicine
BRAYER, ANDREW P.	AIRPORT MEDICAL CLINIC, 4848 SOUTH 6TH STREET 53221-	(414) 769-2540	01120 2011 Family Practice/General Practice
P LISCHAK, MICHAEL W	GATEWAY CLINIC, 4848 S. 6TH STREET 53221-	(262) 268-3185	* 01667 2004 Aerospace Medicine
<b>MONROE</b>		<b>GREEN</b>	
FREY, JOHN P	THE MONROE CLINIC, 515 22ND AVE 53566-0000	(608) 324-2214	20796 1997 Pediatrics
<b>NORTH FOND DU LAC</b>		<b>FOND DU LAC</b>	
P FOWNES, DOUGLAS R	FOND DU LAC REGIONAL CLINIC, 723 PARK RIDGE LANE 54937-	(920) 926-8600	* 15369 1979 Family Practice/General Practice
<b>OSHKOSH</b>		<b>WINNEBAGO</b>	
WESTRA, CHRISTOPHER	AFFINITY OCCUPATIONAL HEALTH, 1855 S. KOELLER STREET 54902-	(920) 223-7075	01130 2011 Internal Medicine
P FISHER, ALBERT L	10 EAST IRVING STREET 54901-0000	(920) 236-3290	21020 1999 Family Practice/General Practice
<b>RACINE</b>		<b>RACINE</b>	
MAWN, STEPHEN	WHEATON FRANCISCAN MED. GRP. OCCU. MED., 3805-B-SPRING ST., SUITE 260 53405-	(262) 687-6150	* 01792 2007 Occupational/Industrial Medicine
<b>RHINELANDER</b>		<b>ONEIDA</b>	
FERNANDES, HARRY	RHINELANDER REGIONAL MED GRP, 2251 NORTH SHORE DR STE 200 54501-0000	(715) 361-4700	21088 2001 Internal Medicine
KOTILA, BRUCE A	RHINELANDER REGIONAL MED GRP, 2251 N SHORE DR STE 200 54501-3999	(715) 361-4700	* 15335 1978 Internal Medicine
<b>SAINT CROIX FALLS</b>		<b>POLK</b>	
SCHULTZ, WILLIAM G	ST. CROIX REGIONAL MEDICAL CENTER, 204 S. ADAMS STREET 54024-	(715) 483-3221	* 25238 2004 Family Practice/General Practice
<b>SHAWANO</b>		<b>SHAWANO</b>	
THATCHER, GREGORY B	100 COUNTRY RD B 54166-0000	(715) 524-2161	18139 1981 Family Practice/General Practice
<b>SHEBOYGAN</b>		<b>SHEBOYGAN</b>	
P PAWLAK, JAMES RONALD	MARSHO FAMILY MEDICAL/COLUMBIA ST. MARY, 1703 N TAYLOR DR 53081-0000	(920) 457-4438	* 18508 1989 Family Practice/General Practice
P WESTCOTT, STEPHEN C	2414 KOHLER MEMORIAL DR 53081-4006	(920) 457-4461	* 18479 1988 Internal Medicine
<b>SPOONER</b>		<b>WASHBURN</b>	
P VAN ETTEN, MARK A.	THE DULUTH CLINIC-SPOONER, 707 ASH ST 54801-0000	(715) 635-2151	19768 1996 Family Practice/General Practice
<b>STEVENS POINT</b>		<b>PORTAGE</b>	
P WOJCIEHOSKI, RANDAL I	SAINTS HEALTH SERVICES, 5412 HWY 10 E, SUITE D 54481-	(715) 346-5243	* 01736 2005 Internal Medicine
<b>SUPERIOR</b>		<b>DOUGLAS</b>	
BUTCHER, JANUS DALE	PHYSICIANS SPECIALTY CLINIC - SMMC, 3500 TOWER AVENUE 54880-0000	(715) 392-1251	* 01612 2003 Sports Medicine
<b>VERONA</b>		<b>DANE</b>	
P BEASLEY, JOHN W	VERONA FAMILY MED CLINIC, 100 N NINE MOUND ROAD 53593-0000	(608) 845-9531	* 14551 1975 Family Practice/General Practice
<b>WATERTOWN</b>		<b>DODGE</b>	
P TURKE, TERRY L.	TURKE FAMILY MEDICINE SC, 132 HOSPITAL DR 53098-	(920) 261-2020	* 01738 2006 Family Practice/General Practice
<b>WAUKESHA</b>		<b>WAUKESHA</b>	
BORKOWSKI, MICHAEL A	PROHEALTH WORKS, 20611 WATERTOWN ROAD, SUITE J. SEEGER MEDICAL OFFICE BLDG. 53186-0000	(262) 928-5900	* 19759 1995 Occupational/Industrial Medicine
P BEAUMONT, ROBERT J	237 WISCONSIN AVE 53186-4926	(262) 542-5557	* 14448 1974 Family Practice/General Practice
<b>WAUSAU</b>		<b>MARATHON</b>	
P BURT III, GLENN B.	CHRISTIAN FAMILY PRACTICE, LLC, 1500 MERRILL AVE., SUITE 201 54401-	(715) 675-5371	01811 2007 Family Practice/General Practice
KIRKHORN, STEVEN R	MARSHFIELD CLINIC, 2727 PLAZA DRIVE 54401-	(715) 847-3223	* 21031 2004 Family Practice/General Practice
KESSEL, JEFFREY F.	MARSHFIELD CLINIC - WAUSAU & WESTON, 2727 PLAZA DRIVE 54401-	(715) 847-3223	01798 2007 Occupational/Industrial Medicine
<b>WEST ALLIS</b>		<b>MILWAUKEE</b>	
P LISCHAK, MICHAEL W	GATEWAY CLINIC, 801 S 70TH ST 53214-	(414) 773-4926	* 01667 2004 Aerospace Medicine

**WISCONSIN - (Cont.)**

**WESTON**

KESSEL, JEFFREY F.

MARSHFIELD CLINIC - WAUSAU & WESTON, 3501

(715) 393-1280

01798

2007

Occupational/Industrial Medicine

P WOJCIEHOSKI, RANDAL I

CRANBERRY BOULEVARD 54476-  
SAINTS HEALTH SERVICES, 3301 CRANBERRY  
BOULEVARD 54476-

(715) 393-3990

\*

01736

2005

Internal Medicine

**WISCONSIN RAPIDS**

P VOELKER, THOMAS A.

ASPIRUS DOCTOR'S CLINIC, 2031 PEACH STREET 54494-

(715) 423-0122

01703

2005

Family Practice/General Practice

**MARATHON**

**WOOD**